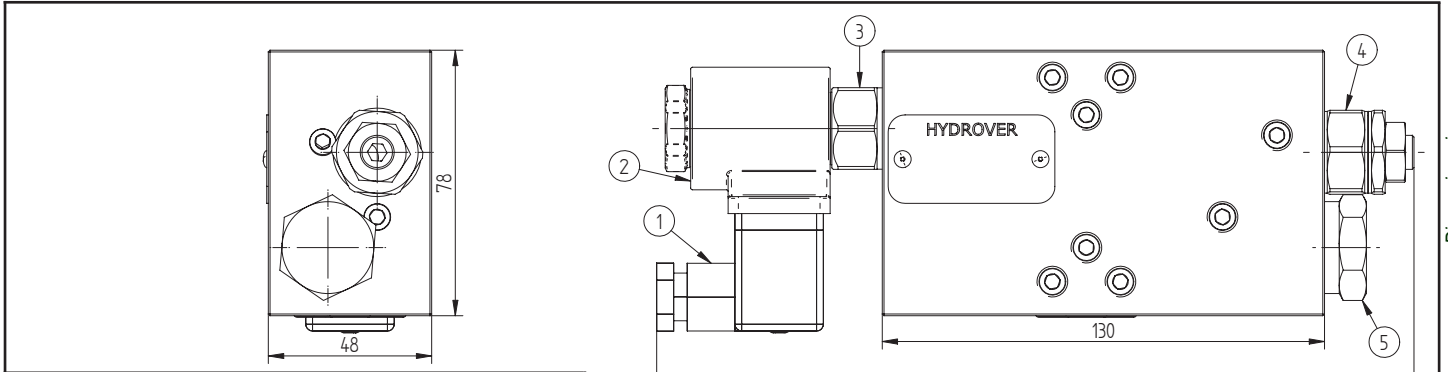
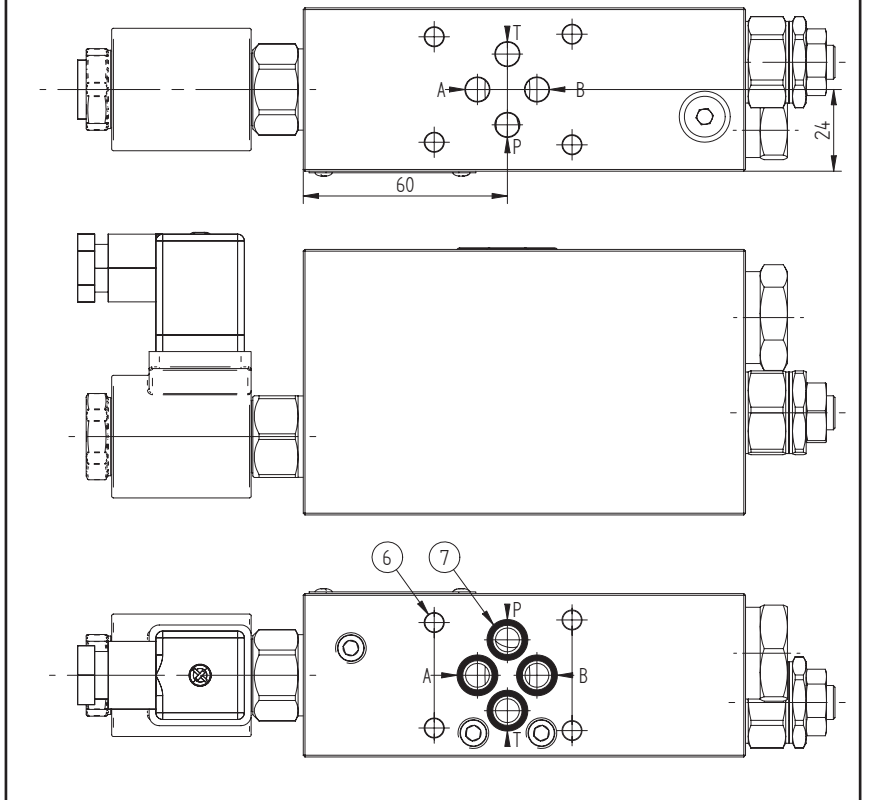
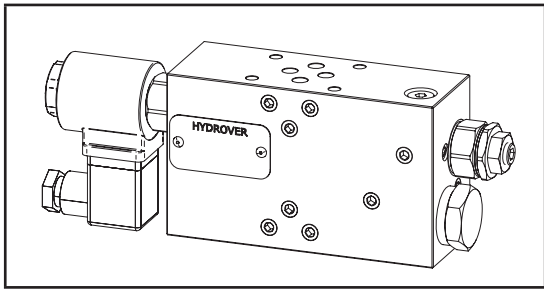


Modular Cetop 3 3 way compensated flow regulator valve on P with fast slow speed

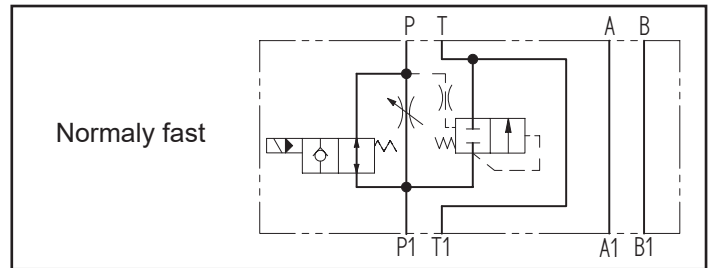
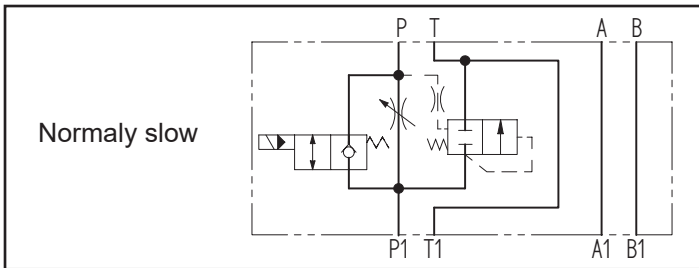
**H3927**



Technical data	
Max. pressure	210 bar
Max. flow	35 lpm
Weight	1,8 Kg
Manifold material	Aluminium



Dimensions in mm



N°	Description	Q.ty
1	Connector DIN 43650 ISO 4400	1
2	Bosch Rexroth coil <b>D36</b> - CLASS H DIN 43650 ISO 4400 *	1
3	Bosch Rexroth solenoid valve for fast slow function <b>VEI-16-08A-NC OD.15.05.18-Y-000000</b> (normally slow) or <b>VEI-16-08A-NA OD.15.06.18-Y-000000</b> (normally fast) depicted without manual override *	1
4	Bosch Rexroth bidirectional flow restrictor <b>OD.21.01-X-56</b> * depicted with screw adjustment	1
5	Pressure compensator	1
6	Ø 5,5 through hole for mounting	4
7	OR 108 i. Ø 8,73 cross section 1,78	4

\* for complete technical information, click on the blue link or go to the components section at the end of the catalogue

Ordering code

H 3 9 2 7 A \_ \_ Q - \_ - - \_ - -

**Hydrover product**

**Product series**

39 series - Cetop 3 modular valves

**Product ID**

**Manifold material**

Aluminium

**Compensator spring**

6 bar (standard) = 6  
12 bar = 1

**Flow regulator adjustment type**

Screw = S  
Knob = K

**Slow or fast in normal position \***

Normally slow = NL  
Normally fast = NR

**Solenoid valve coil connection \***

1 = DIN 43650  
ISO 4400

**Solenoid valve coil voltage \***

OB = 12V DC  
OC = 24V DC  
OD = 48V DC  
OU = 110V RAC  
AH = 230V RAC

**Solenoid valve manual override \***

E0 = Without  
EP = Push (NR)  
EV = Screw (NL)  
EG = Push and twist (NR)

\* Omit if not required. For example, to order the product without the fast slow solenoid cartridge valve, omit the solenoid valve manual override, coil voltage and coil connection options: H3927A4SQ.  
The manifold will still be provided with the corresponding cavity.  
To inhibit the fast slow speed function, replace the related solenoid valve options with TL: eg H3927A4SQ-TL.  
In the cavity it will be mounted a long plug.

Valve	Cavity	Long plug code
Solenoid valve VEI-16-08A-NC OD.15.05.18-Y-000000 or VEI-16 08A-NA OD.15.06.18-Y-000000	CA-08A-2N	<b>0489A2005600000</b>