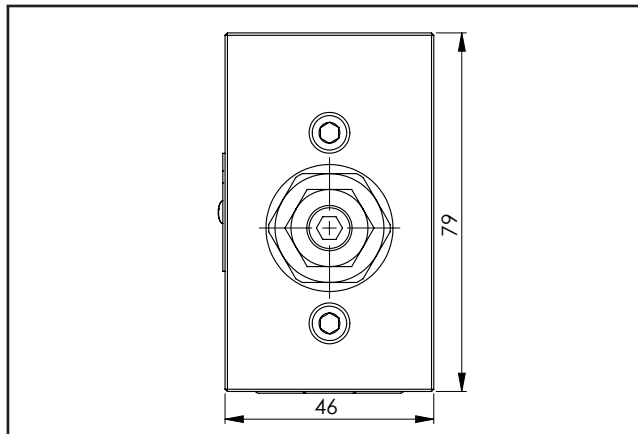
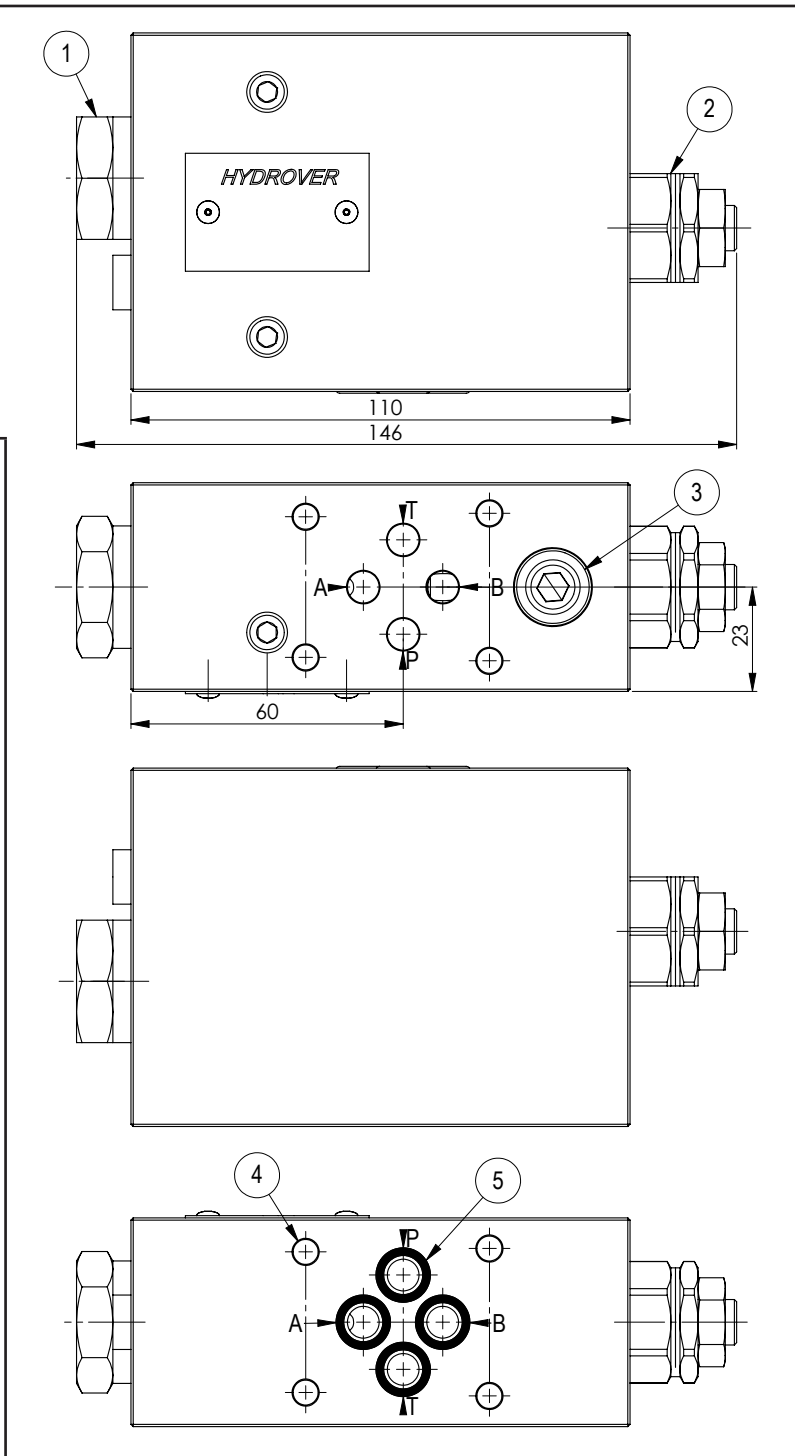
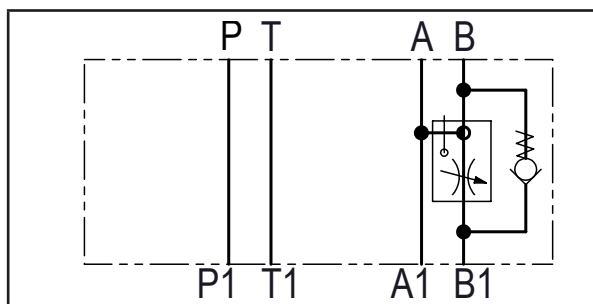
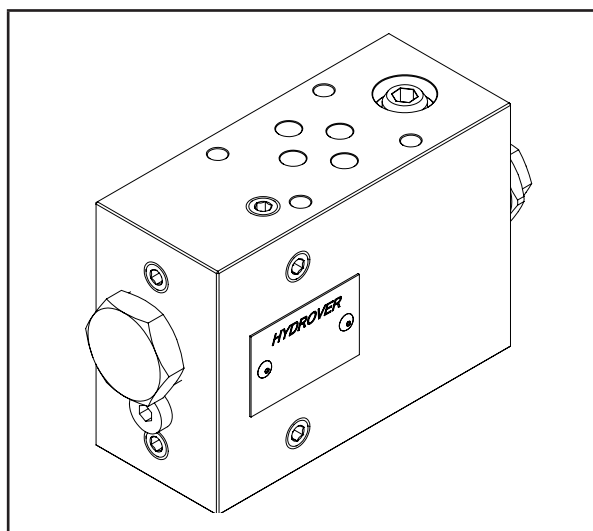


Cetop 3 modular 3 way compensated flow regulator valve on B **H3930**

Dimensions in mm



Technical data	
Max. pressure	250 bar
Max. flow	30 lpm
Weight	1,3 Kg
Manifold material	Aluminium



N°	Description	Q.ty
1	Pressure compensator	1
2	Bosch Rexroth bidirectional flow restrictor <b>OD.21.01-X-56</b> * depicted with screw adjustment	1
3	Bosch Rexroth check valve	4
4	Ø 5,5 through hole for mounting	4
5	OR 108 i. Ø 8,73 cross section 1,78	4

\* for complete technical information, click on the blue link or go to the components section at the end of the catalogue

Ordering code

H	3	9	3	0	A	_	_	Q
---	---	---	---	---	---	---	---	---

**Hydrover product**

**Product series**

39 series - Cetop 3 modular valves

**Product ID**

**Flow regulator adjustment type**

S = Screw  
K = Knob

**Compensator spring**

6 = 6 bar (standard)  
1 = 12 bar

**Manifold material**

Aluminium