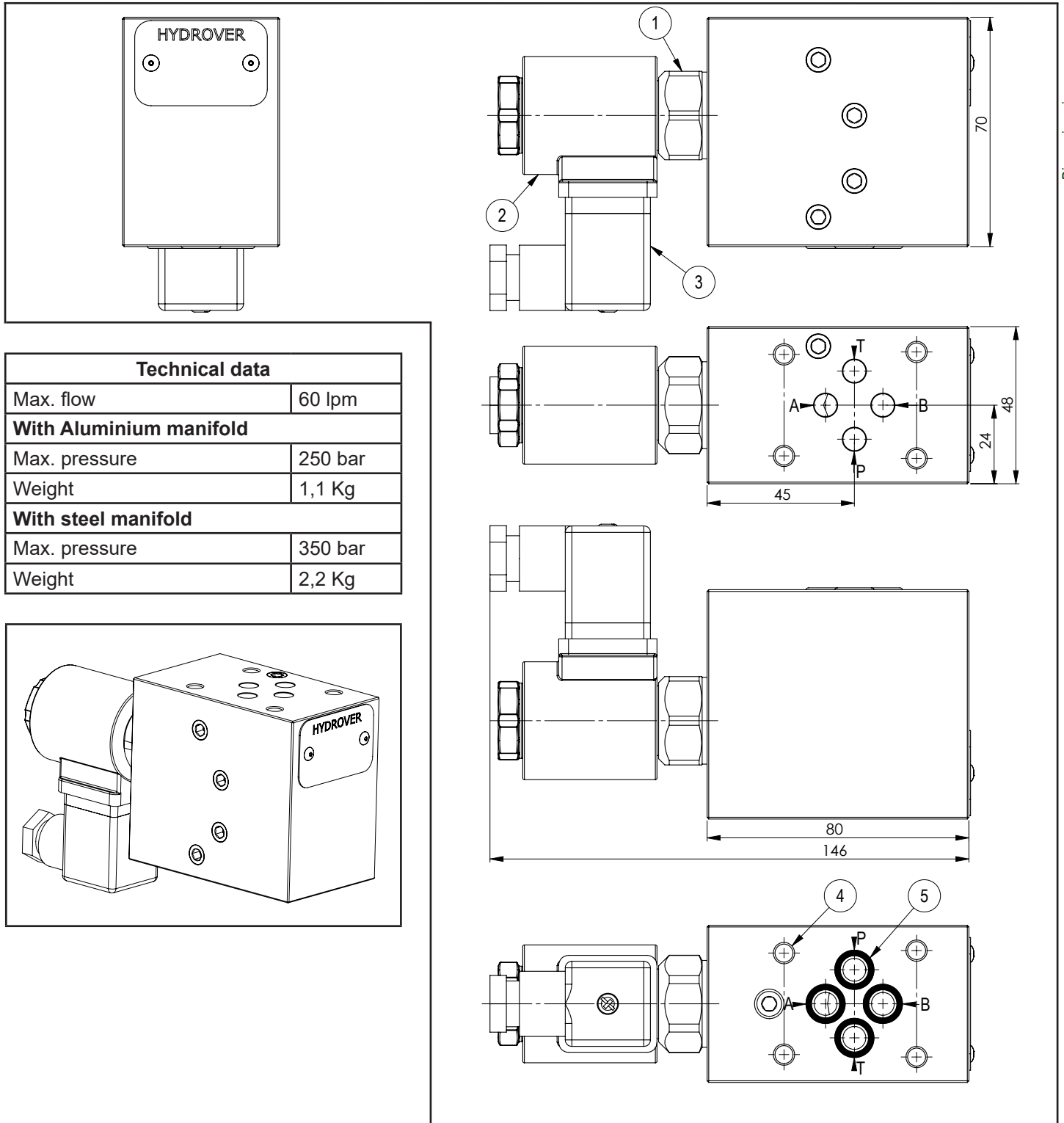


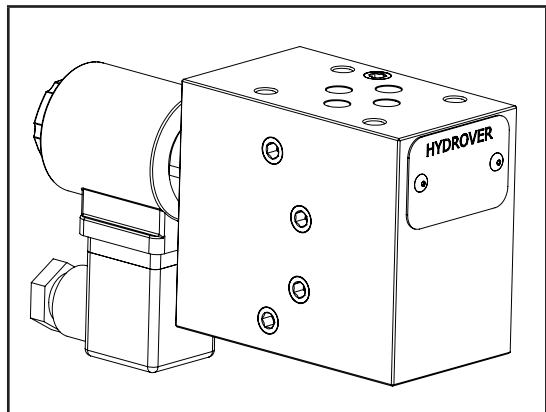
Cetop 3 modular poppet type solenoid operated directional valve between P1 and P / 60 lpm

H3934



Dimensions in mm

Technical data	
Max. flow	60 lpm
With Aluminium manifold	
Max. pressure	250 bar
Weight	1,1 Kg
With steel manifold	
Max. pressure	350 bar
Weight	2,2 Kg



N°	Description	Q.ty
1	Bosch Rexroth solenoid valve VEI-16-10A-NC OD.15-X-36-Y-000000 (normally closed) or VEI-16-10A-NA OD.15-X-36-Y-000000 (normally open) depicted without manual override *	1
2	Bosch Rexroth coil D36 - CLASS H DIN 43650 ISO 4400 *	1
3	Connector DIN 43650 ISO 4400	1
4	Ø 5,5 through hole for mounting	4
5	OR 108 i. Ø 8,73 cross section 1,78	4

* for complete technical information, click on the blue link or go to the components section at the end of the catalogue

Ordering code

H 3 9 3 4 _ - _ - - _ - _ -

Hydrover product

Product series

39 series - Cetop 3 modular valves

Product ID

Manifold material

Aluminium
Steel

= A
= S

Solenoid valve spool type *

Normally open = NA
Normally closed = NC
Normally open double lock = 2A
Normally closed double lock = 2C

Solenoid valve coil connection *

1 = DIN 43650 ISO 4400

Solenoid valve coil voltage *

OB = 12V DC
OC = 24V DC
OD = 48V DC
OU = 110V RAC
AH = 230V RAC

Solenoid valve manual override *

E0 = Without
EP = Push (NA, 2A)
EV = Screw (NC, 2C)
EG = Push and twist (NA, 2A)

* Omit if not required. For example, to order the product without coil, omit the solenoid valve coil connection and coil voltage options: H3934A-NC-E0.

