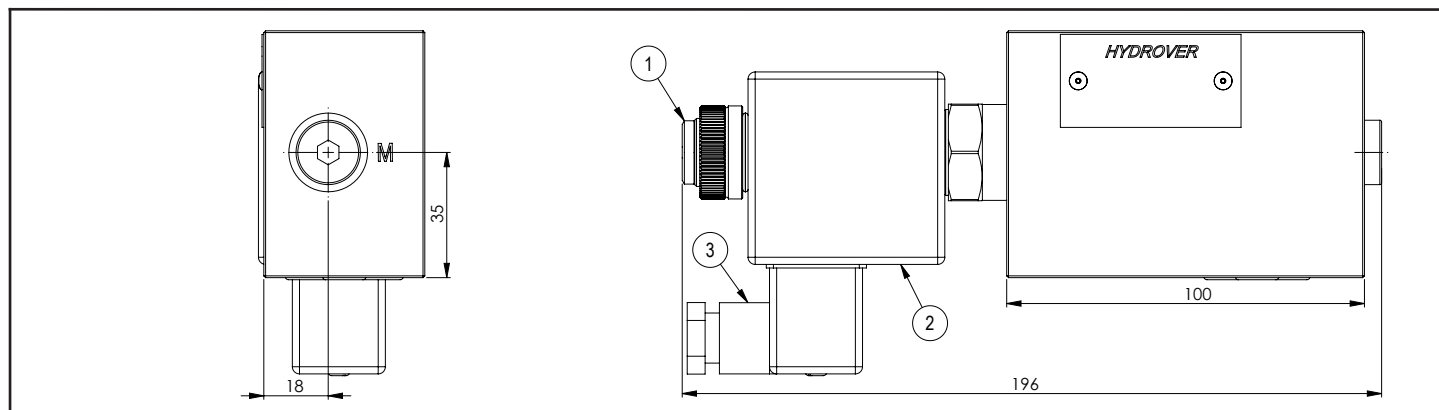
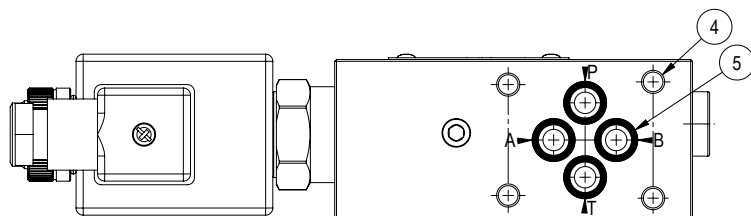
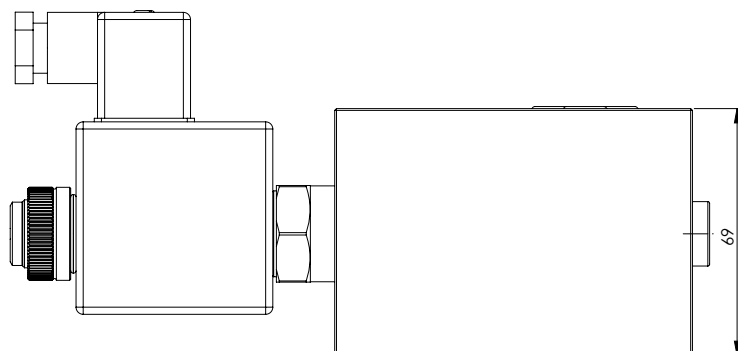
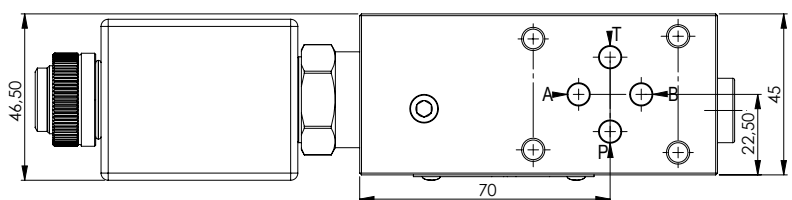
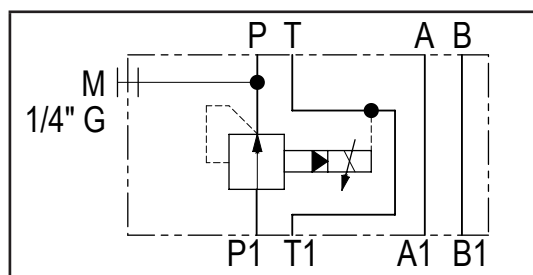
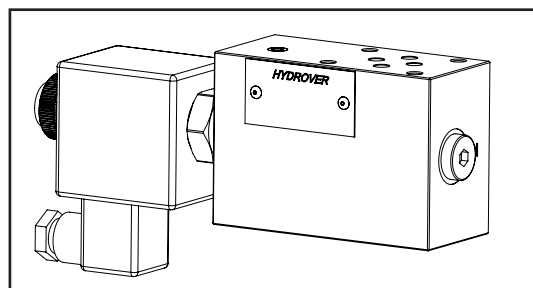


Cetop 3 modular proportional pressure reducing valve on P **H3942**



Dimensions in mm

Technical data	
Max. pressure	250 bar
Max. flow	45 lpm
Weight	1,2 Kg
Manifold material	Aluminum



N°	Description	Q.ty
1	Bosch Rexroth proportional solenoid valve VEP-5A-2R-06-P / OD.91.06.77-Y-00 *	1
2	Bosch Rexroth coil S5-356 - CLASS H DIN 43650 ISO 4400 *	1
3	Connector DIN 43650 ISO 4400	1
4	Ø 5,5 through hole for mounting	4
5	OR 108 i. Ø 8,73 cross section 1,78	4

* for complete technical information, click on the blue link or go to the components section at the end of the catalog

Ordering code

H	3	9	4	2	A	-	-	-	-	-
---	---	---	---	---	---	---	---	---	---	---

Hydrover product

Product series

39 series - Cetop 3 modular valves

Product ID

Manifold material

Aluminum

Proportional solenoid valve coil connection *

1 = DIN 43650 ISO 4400

Proportional solenoid valve coil voltage *

OB = 12V DC

OC = 24V DC

Proportional solenoid valve manual override *

E0 = Without

EV = Screw

* Omit if not required. To order the product without the proportional solenoid cartridge valve, omit the manual override, coil voltage and coil connection options: H3942A.
The manifold will still be provided with the corresponding cavity.