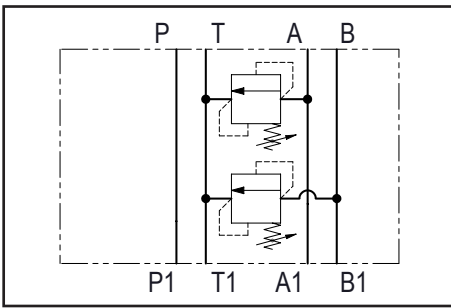


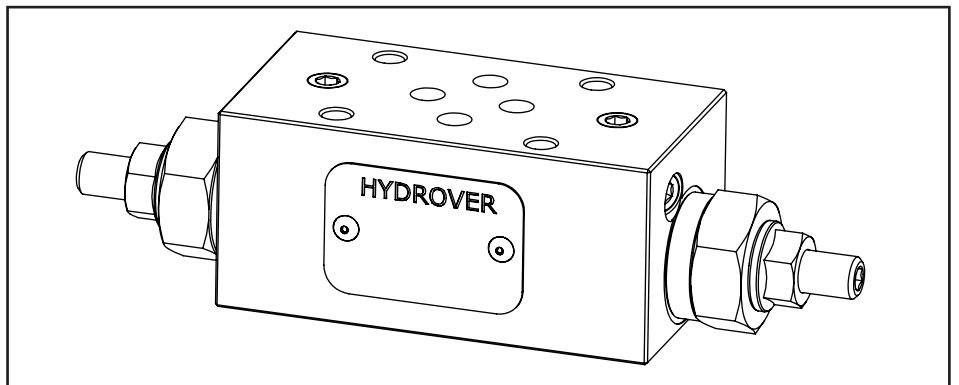
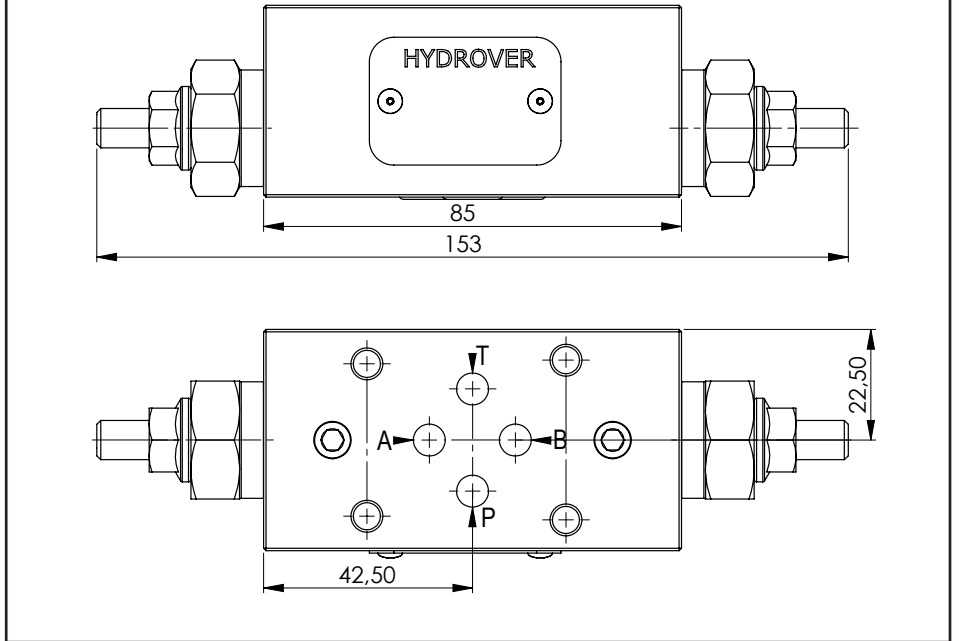
Dimensions in mm

Technical data	
Max. pressure	250 bar
Max. flow	20 lpm *
Weight	0,55 Kg
Manifold material	Aluminium



N°	Description	Q.ty
1	Bosch Rexroth relief valve <b>VSBN-08A</b> depicted depicted with screw adjustment *	2
2	Ø 5,5 through hole for mounting	4
3	OR 108 i. Ø 8,73 cross section 1,78	4

\* for complete technical information, click on the blue link or go to the components section at the end of the catalogue



**H3946**

Ordering code

H	3	9	4	6	A	-	-	-	-	-
---	---	---	---	---	---	---	---	---	---	---

**Hydrover product**

**Product series**

39 series - Cetop 3 modular valves

**Product ID**

**Manifold material**

Aluminium

**Relief valve adjustment pressure range on B \***

- 0 = 10-70 bar
- 1 = 35-140 bar
- 2 = 105-210 bar
- 3 = 175-350 bar
- 3 = 35-350 bar (knob reg.)

**Relief valve adjustment type on B \***

- S = Screw
- K = Knob

**Relief valve adjustment pressure range on A \***

- 0 = 10-70 bar
- 1 = 35-140 bar
- 2 = 105-210 bar
- 3 = 175-350 bar
- 3 = 35-350 bar (knob reg.)

**Relief valve adjustment type on A \***

- S = Screw
- K = Knob

\* Omit if not required. To order the product without the pressure relief cartridge valves, omit the pressure range and the adjustment type options for A and B: H3946A.  
 The manifold will still be provided with the corresponding cavities.  
 To inhibit a function, replace the related valve options with TL: eg H3946A-S2-TL.  
 In the cavity it will be mounted a long plug.

Valve	Cavity	Long plug code
Pressure relief valve VSBN-08A	CA-08A-2N	<b>0489A200560000</b>