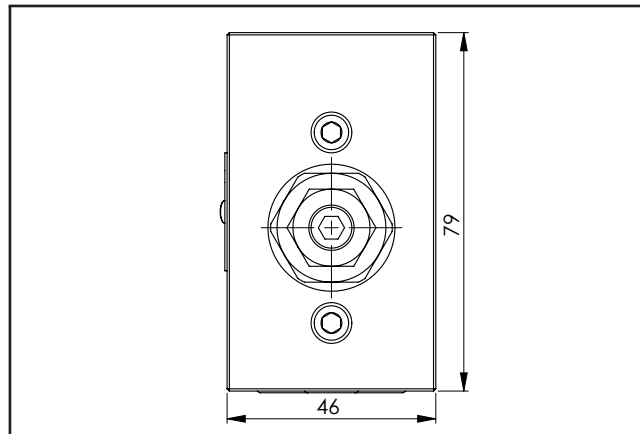
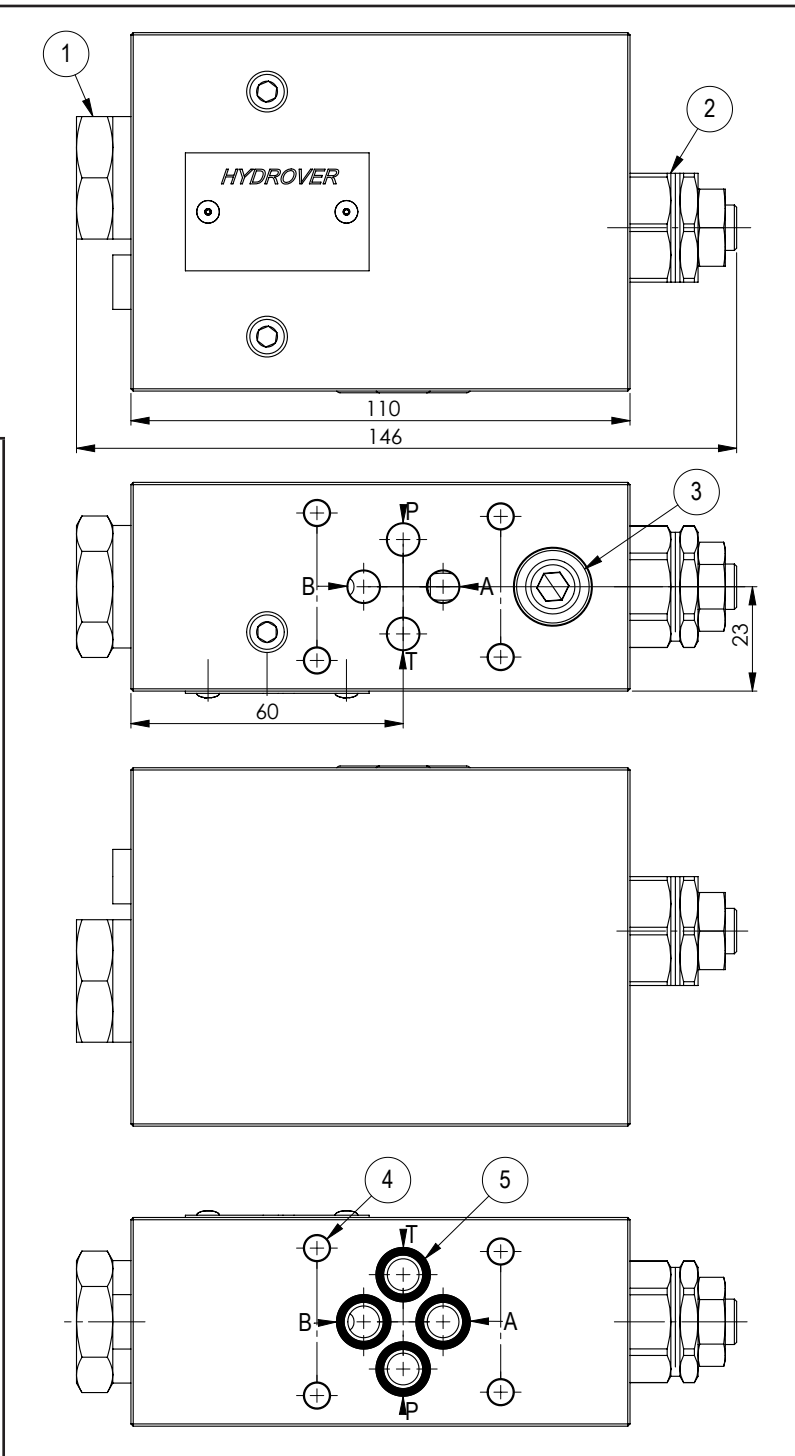
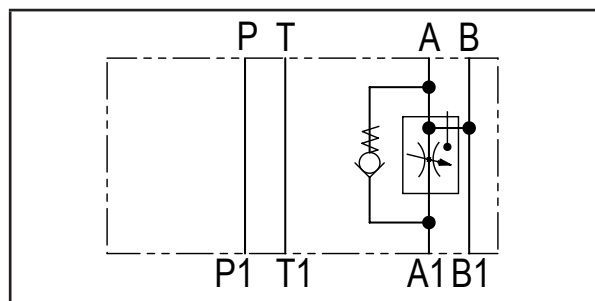
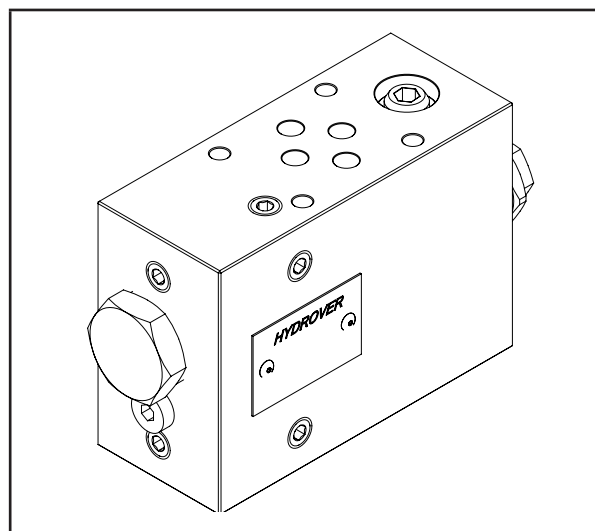


Cetop 3 modular 3 way compensated flow regulator valve on A **H3947**



Technical data	
Max. pressure	250 bar
Max. flow	30 lpm
Weight	1,3 Kg
Manifold material	Aluminium



Dimensions in mm

N°	Description	Q.ty
1	Pressure compensator	1
2	Bosch Rexroth bidirectional flow restrictor OD.21.01-X-56 * depicted with screw adjustment.	1
3	Check valve	4
4	Ø 5,5 through hole for mounting	4
5	OR 108 i. Ø 8,73 cross section 1,78	4

* for complete technical information, click on the blue link or go to the components section at the end of the catalogue

Ordering code

H	3	9	4	7	A	_	_	Q
---	---	---	---	---	---	---	---	---

Hydrover product

Product series

39 series - Cetop 3 modular valves

Product ID

Flow regulator adjustment type

S = Screw
K = Knob

Compensator spring

6 = 6 bar (standard)
1 = 12 bar

Manifold material

Aluminium