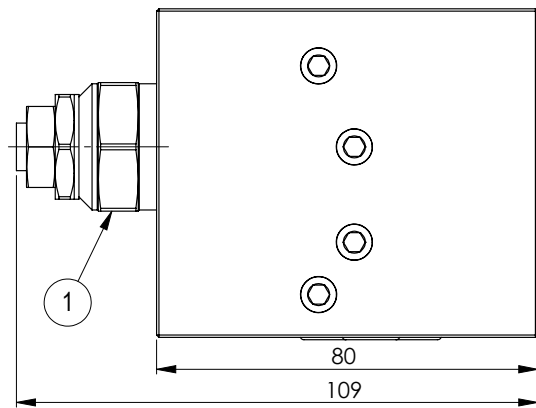
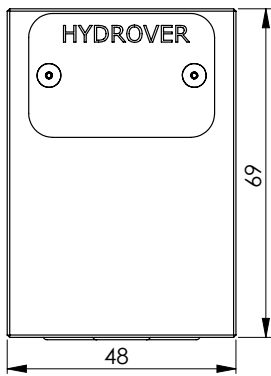
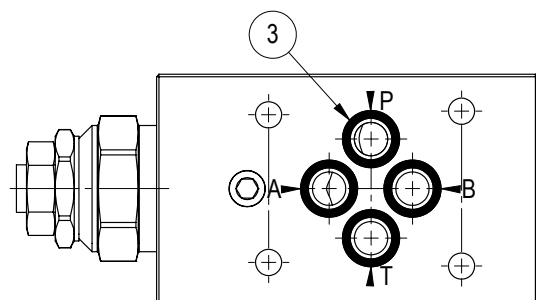
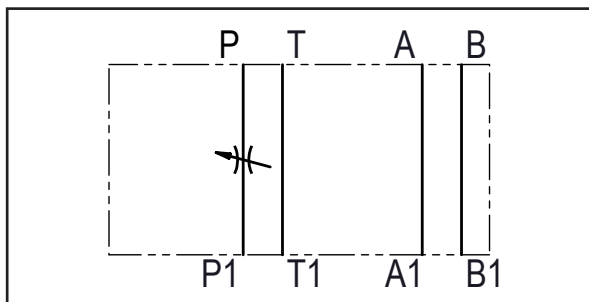
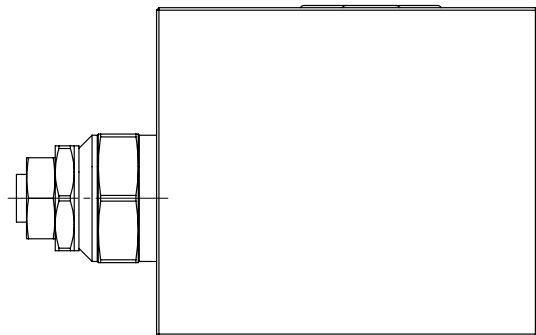
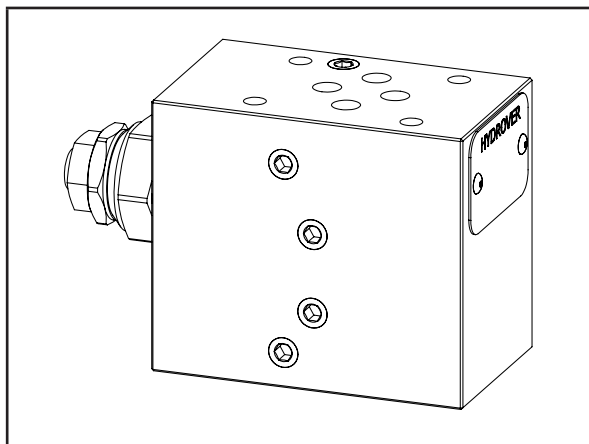
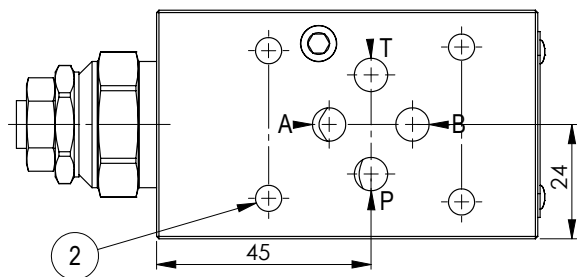


Cetop 3 modular valve with bidirectional flow restrictor on P **H3956**

Dimensions in mm



Technical data	
Max. pressure	250 bar
Max. flow	60 lpm
Weight	0,82 Kg
Manifold material	Aluminium



N°	Description	Q.ty
1	Bosch Rexroth bidirectional flow restrictor OD.21.01-X-36 * depicted with screw adjustment.	1
2	Ø 5,5 through hole for mounting	4
3	OR 108 i. Ø 8,73 cross section 1,78	4

* for complete technical information, click on the blue link or go to the components section at the end of the catalogue

Ordering code

H	3	9	5	6	A	_	Q
---	---	---	---	---	---	---	---

Hydrover product

Product series

39 series - Cetop 3 modular valves

Product ID

Flow restrictor adjustment type

S =

Screw

K =

Knob

Manifold material

Aluminium