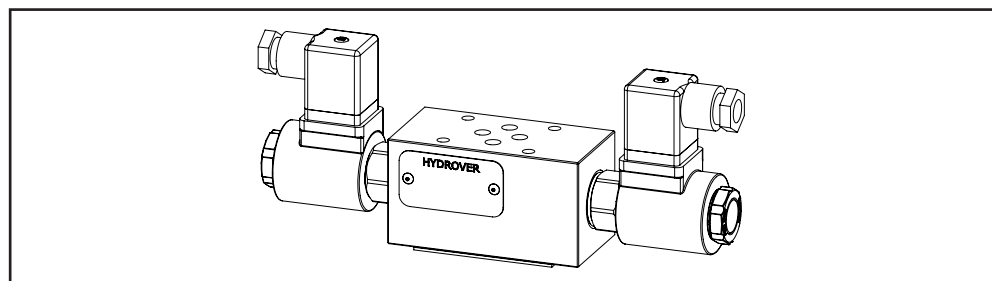
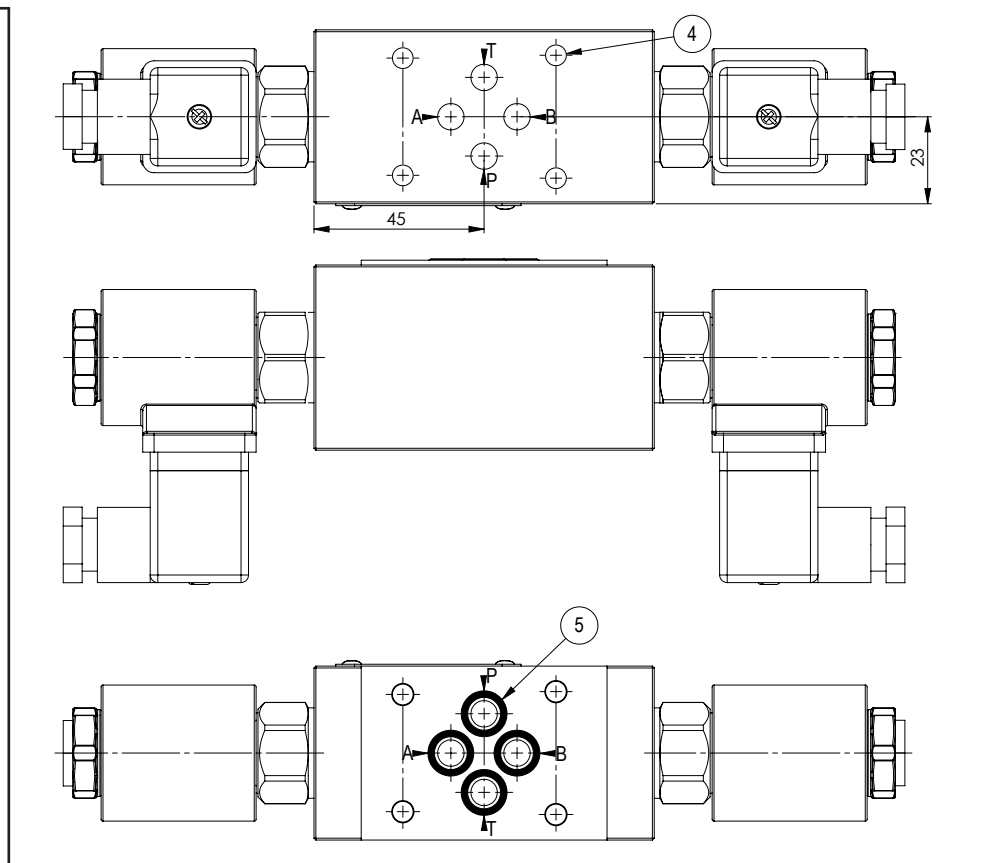


Dimensions in mm

Technical data	
Max. flow	40 lpm
With Aluminium manifold	
Max. pressure	250 bar
Weight	1,3 Kg
With steel manifold	
Max. pressure	350 bar
Weight	2,2 Kg



N°	Description	Q.ty
1	Bosch Rexroth solenoid valve VEI-16-08A-NC OD.15-X-18-Y-000000 (normally closed) or VEI-16-08A-NA OD.15-X-18-Y-000000 (normally open) depicted without manual override *	2
2	Bosch Rexroth coil D36 - CLASS H DIN 43650 ISO 4400 *	2
3	Connector DIN 43650 ISO 4400	2
4	Ø 5,5 through hole for mounting	4
5	Seal plate	1

* for complete technical information, click on the blue link or go to the components section at the end of the catalogue

Ordering code



Hydrover product

Product series

39 series - Cetop 3 modular valves

Product ID

Manifold material

Aluminium

= A

Steel

= S

Solenoid valves spool type *

Normally open

= NA

Normally closed

= NC

Normally open double lock

= 2A

Normally closed double lock

= 2C

Solenoid valves coil connection *

1 = DIN 43650 ISO 4400

Solenoid valves coil voltage *

OB = 12V DC

OC = 24V DC

OD = 48V DC

OU = 110V RAC

AH = 230V RAC

Solenoid valves manual override *

Without

E0 =

EP =

EV =

EG =

Push (NA, 2A)

Screw (NC, 2C)

Push and twist (NA, 2A)

* Omit if not required. For example, to order the product without coils, omit the solenoid valves coil connection and coil voltage options: H3959A-NC-E0.

