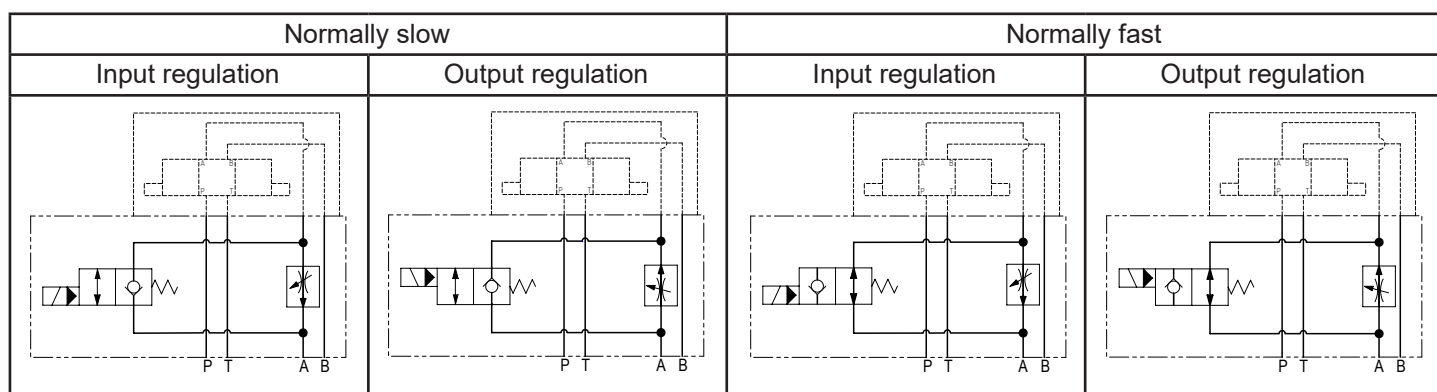
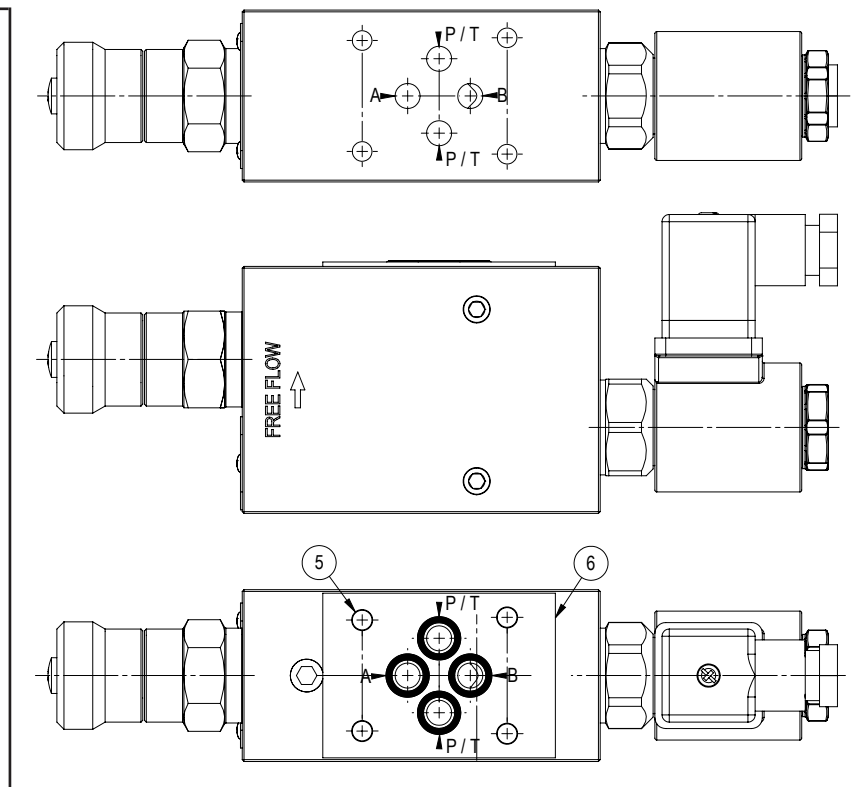
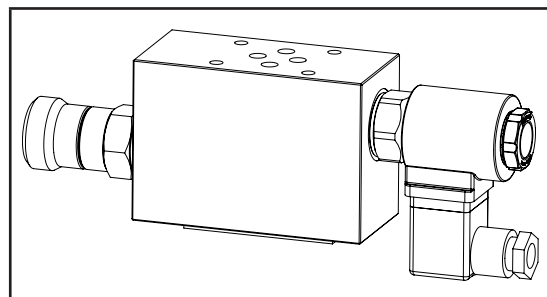


Dimensions in mm

Technical data	
Max. pressure	250 bar
Max. flow	50 lpm
Regulated max. flow	30 lpm
Weight	1,5 Kg
Manifold material	Aluminium



N°	Description	Q.ty
1	Connector DIN 43650 ISO 4400	1
2	Bosch Rexroth coil D36 - CLASS H DIN 43650 ISO 4400 *	1
3	Bosch Rexroth solenoid valve for fast slow function OD.15.05.36-Y-000000 (normally slow) or OD.15.06.36-Y-000000 (normally fast) depicted without manual override *	1
4	Bosch Rexroth 2 way compensated flow regulator 04.02.02.40.85-Z *	1
5	Ø 5,5 through hole for mounting	4
6	Seal plate	1

* for complete technical information, click on the blue link or go to the components section at the end of the catalogue

H3960

Ordering code

H 3 9 6 0 A - C _ - _ - _ - _ - _ - _

Hydrover product

Product series

39 series - Cetop 3 modular valves

Product ID

Manifold material

Aluminium

Flow regulator adjustment type

Calibrated knob

Flow regulator range

0,1 - 20 lpm = 2

0,2 - 30 lpm = 3

Slow or fast in normal position *

Normally slow = NL

Normally fast = NR

Solenoid valve coil connection *

1 = DIN 43650
ISO 4400

Solenoid valve coil voltage *

OB = 12V DC
OC = 24V DC
OD = 48V DC
OU = 110V RAC
AH = 230V RAC

Solenoid valve manual override *

E0 = Without
EP = Push (NR)
EV = Screw (NL)
EG = Push and twist (NR)

* Omit if not required. For example, to order the product without the fast slow solenoid cartridge valve, omit the solenoid valve manual override, coil voltage and coil connection options: H3960A-C2.
The manifold will still be provided with the corresponding cavity.
To inhibit the fast slow speed function, replace the related solenoid valve options with TL: eg H3960A-C2-TL.
In the cavity it will be mounted a long plug.

Valve	Cavity	Long plug code
Solenoid valve OD.15.05.36-Y-000000 or OD.15.06.36-Y-000000	CA-10A-2N	0489A200850000