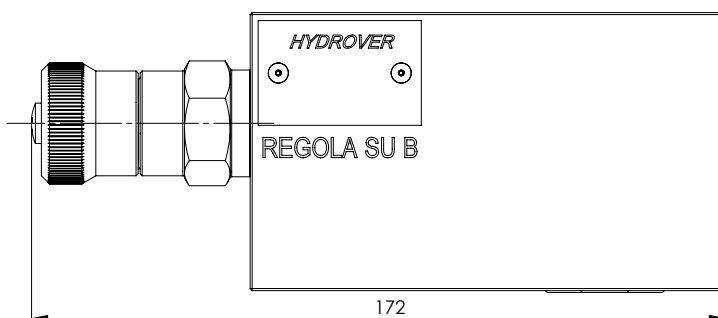
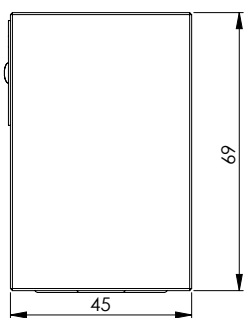
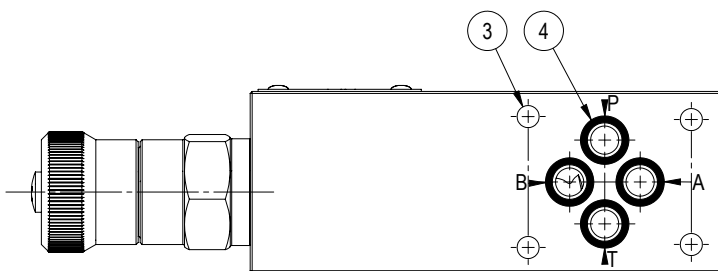
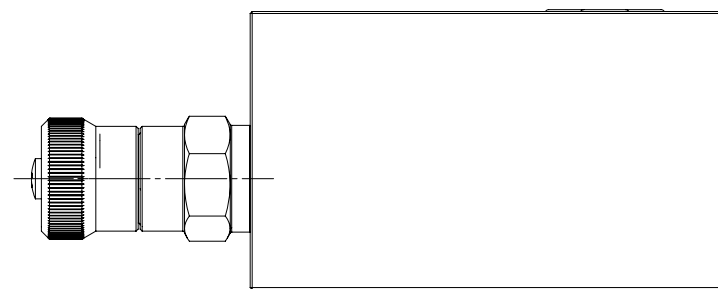
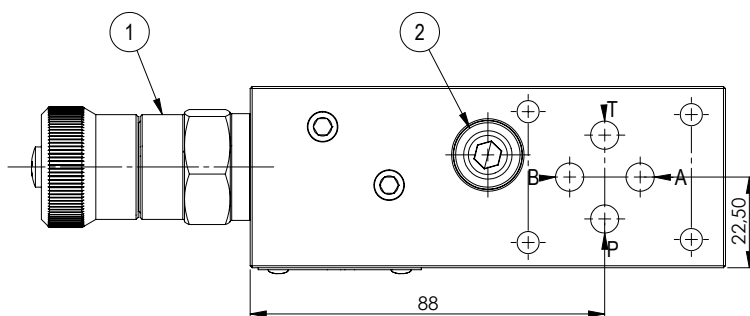
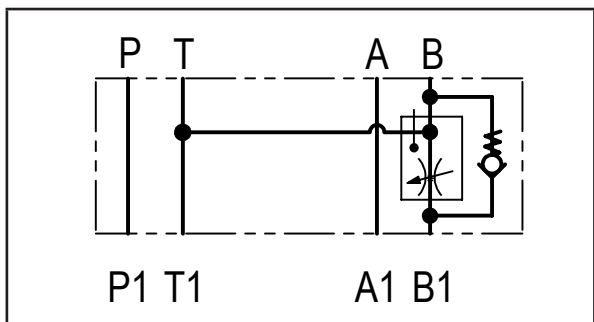
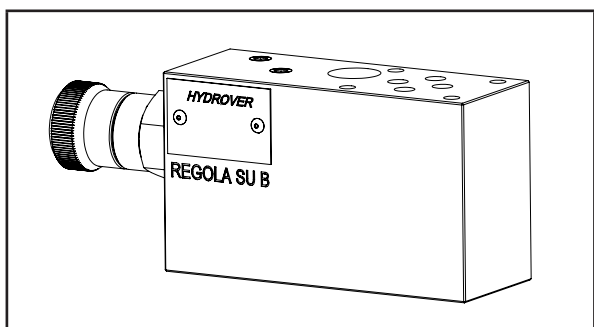


Cetop 3 modular 3 way compensated priority flow regulator valve on B **H3961**

Dimensions in mm



Technical data	
Max. pressure	250 bar
Max. flow	60 lpm
Regulated max. flow	30 lpm
Weight	1,1 Kg
Manifold material	Aluminum



N°	Description	Q.ty
1	Bosch Rexroth 3 way compensated flow regulator 04.04.02.40.85.40 - VRFD-10A-M-40*	1
2	Bosch Rexroth check valve	1
3	Ø 5,5 through hole for mounting	4
4	OR 108 i. Ø 8,73 cross section 1,78	4

* for complete technical information, click on the blue link or go to the components section at the end of the catalog

Ordering code

H	3	9	6	1	A	-	_	_
---	---	---	---	---	---	---	---	---

Hydrover product

Product series

39 series - Cetop 3 modular valves

Product ID

Flow regulator range*

0,2 - 30 lpm

3=

Flow regulator adjustment type*

Calibrated knob

C=

Manifold material

Aluminum

Product available on request also on P or A.

* Omit if not required. To order the product without the flow regulator cartridge valve, omit the flow regulator adjustment type and flow range options: H3961A.
The manifold will still be provided with the corresponding cavity.