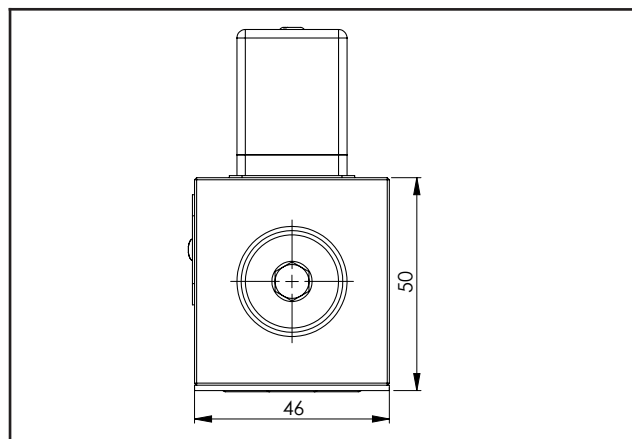
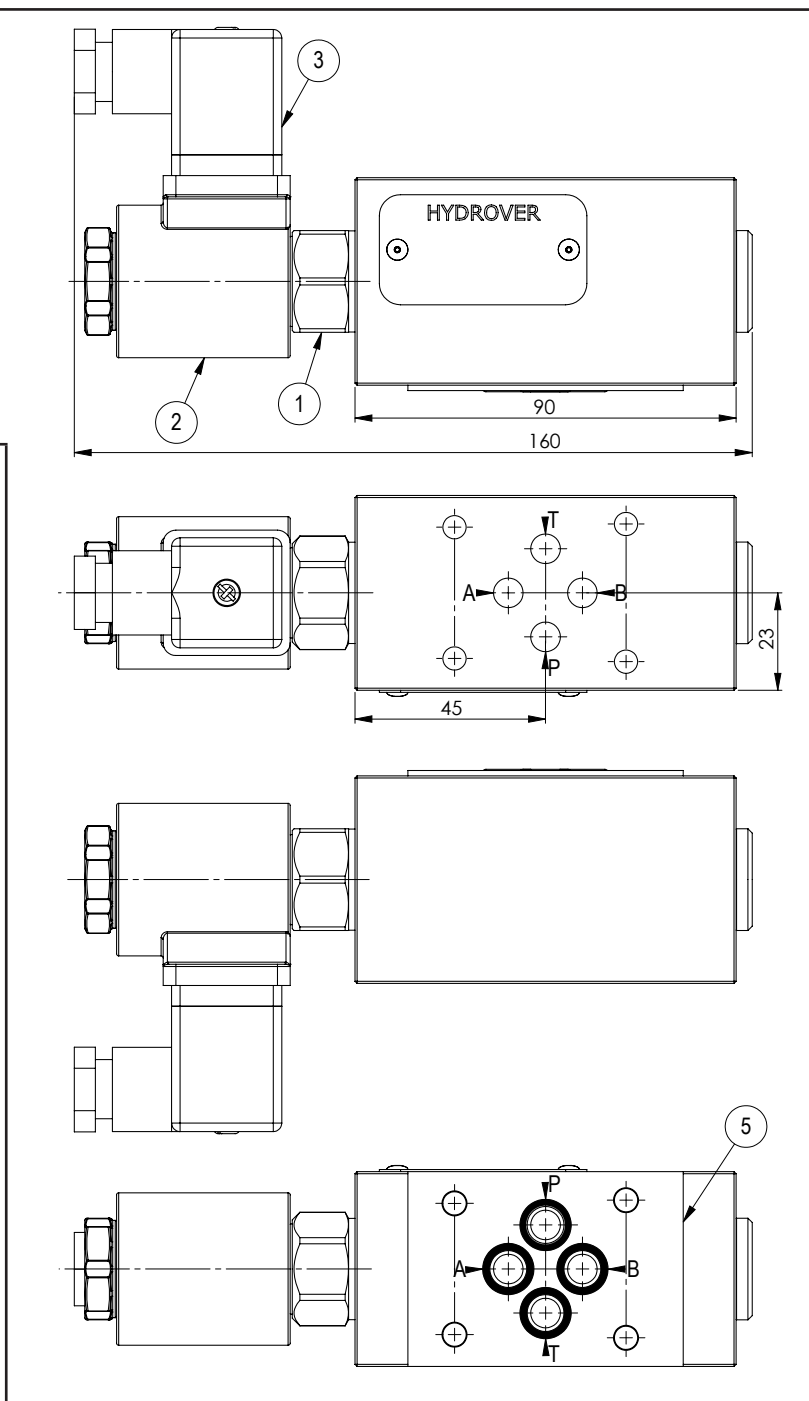
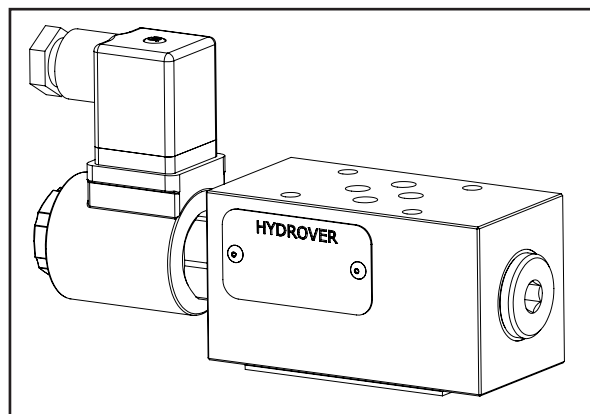


Cetop 3 modular poppet type solenoid operated directional valve between A1 and A / 40 lpm

H3965



| Technical data | |
|-------------------|-----------|
| Max. pressure | 250 bar |
| Max. flow | 40 lpm |
| Weight | 1 Kg |
| Manifold material | Aluminium |



Dimensions in mm

| N° | Description | Q.ty |
|----|--|------|
| 1 | Bosch Rexroth solenoid valve VEI-16-08A-NC OD.15-X-18-Y-000000 (normally closed) or VEI-16-08A-NA OD.15-X-18-Y-000000 (normally open) depicted without manual override * | 1 |
| 2 | Bosch Rexroth coil D36 - CLASS H DIN 43650 ISO 4400 * | 1 |
| 3 | Connector DIN 43650 ISO 4400 | 1 |
| 4 | Ø 5,5 through hole for mounting | 4 |
| 5 | Seal plate | 1 |

* for complete technical information, click on the blue link or go to the components section at the end of the catalogue

Ordering code



Hydrover product

Product series

39 series - Cetop 3 modular valves

Product ID

Manifold material

Aluminium

Solenoid valve spool type *

- Normally open = NA
- Normally closed = NC
- Normally open double lock = 2A
- Normally closed double lock = 2C

Solenoid valve coil connection *

1 = DIN 43650 ISO 4400

Solenoid valve coil voltage *

- OB = 12V DC
- OC = 24V DC
- OD = 48V DC
- OU = 110V RAC
- AH = 230V RAC

Solenoid valve manual override *

- E0 = Without
- EP = Push (NA, 2A)
- EV = Screw (NC, 2C)
- EG = Push and twist (NA, 2A)

* Omit if not required. For example, to order the product without coil, omit the solenoid valve coil connection and coil voltage options: H3965A-NC-E0.

