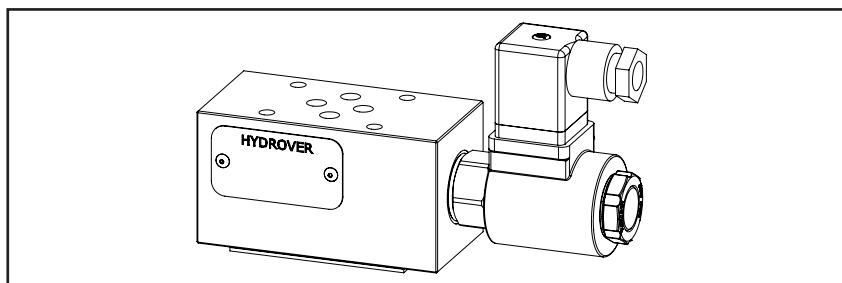
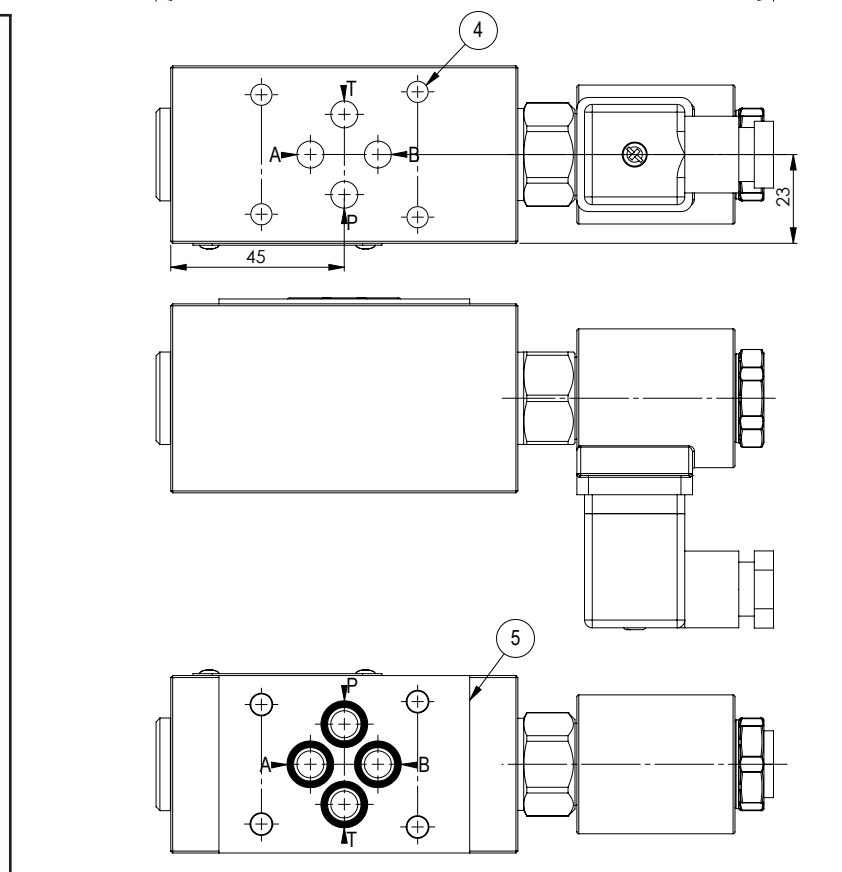


Dimensions in mm

Technical data	
Max. pressure	250 bar
Max. flow	40 lpm
Weight	1 Kg
Manifold material	Aluminium



N°	Description	Q.ty
1	Bosch Rexroth solenoid valve <b>VEI-16-08A-NC OD.15-X-18-Y-000000</b> (normally closed) or <b>VEI-16-08A-NA OD.15-X-18-Y-000000</b> (normally open) depicted without manual override *	1
2	Bosch Rexroth coil <b>D36</b> - CLASS H DIN 43650 ISO 4400 *	1
3	Connector DIN 43650 ISO 4400	1
4	Ø 5,5 through hole for mounting	4
5	Seal plate	1

\* for complete technical information, click on the blue link or go to the components section at the end of the catalogue

Ordering code

H 3 9 6 6 A - - - - -

**Hydrover product**

**Product series**

39 series - Cetop 3 modular valves

**Product ID**

**Manifold material**

Aluminium

**Solenoid valve spool type \***

- Normally open = NA
- Normally closed = NC
- Normally open double lock = 2A
- Normally closed double lock = 2C

**Solenoid valve coil connection \***

1 = DIN 43650 ISO 4400

**Solenoid valve coil voltage \***

- OB = 12V DC
- OC = 24V DC
- OD = 48V DC
- OU = 110V RAC
- AH = 230V RAC

**Solenoid valve manual override \***

- E0 = Without
- EP = Push (NA, 2A)
- EV = Screw (NC, 2C)
- EG = Push and twist (NA, 2A)

\* Omit if not required. For example, to order the product without coil, omit the solenoid valve coil connection and coil voltage options: H3966A-NC-E0.

