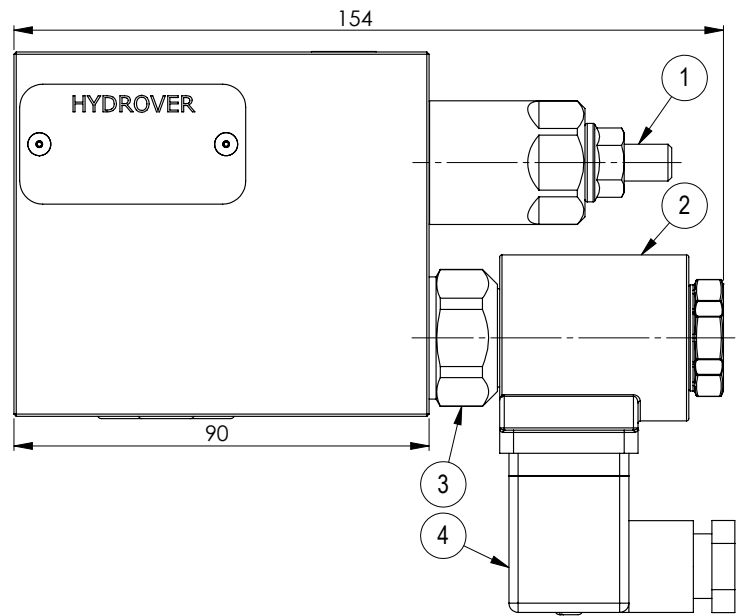
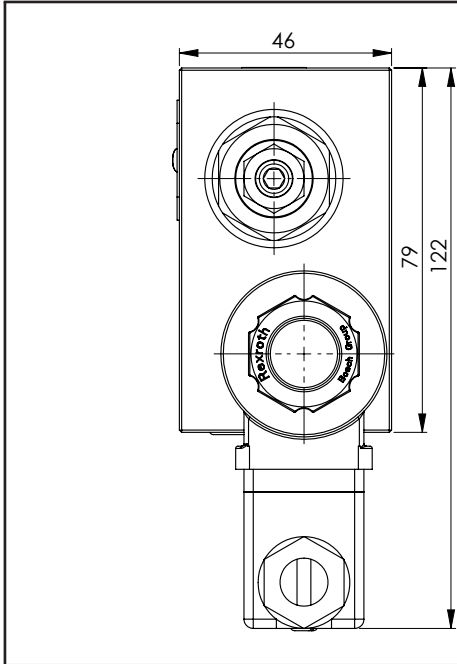
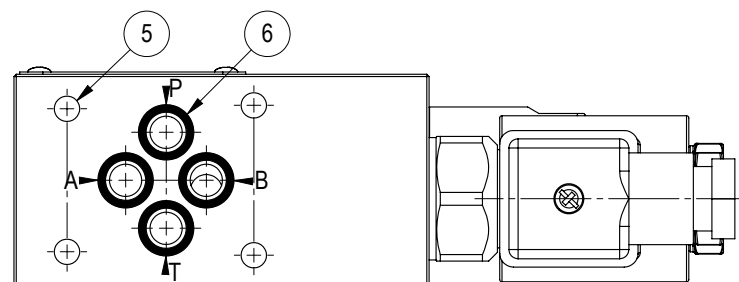
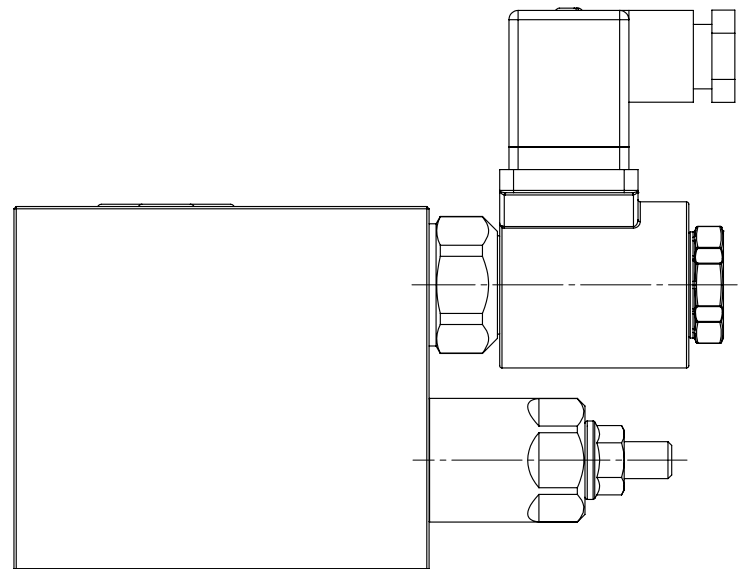
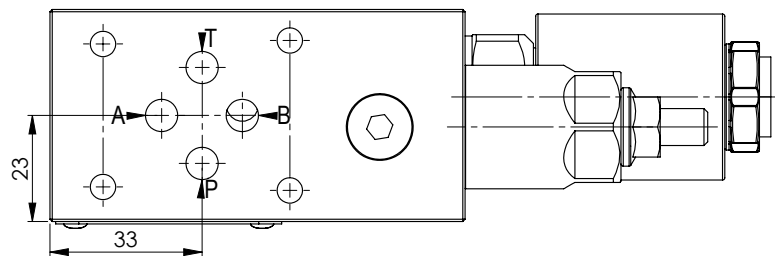
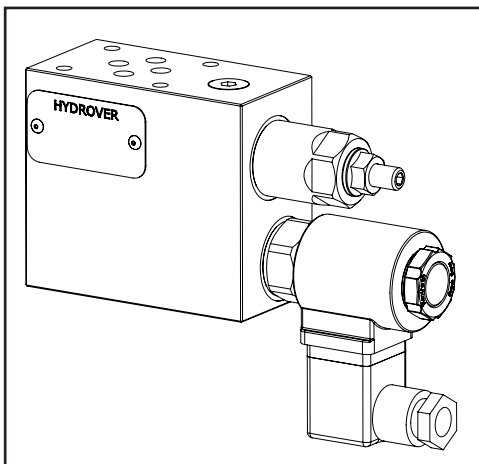
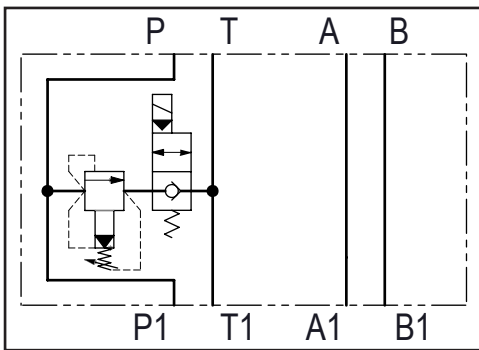


Dimensions in mm



Technical data	
Max. pressure	250 bar
Max. flow	50 lpm
Weight	1,4 Kg
Manifold material	Aluminium



Ordering code

H 3 9 7 7 A - - - - -

**Hydrover product**

**Product series**

39 series - Cetop 3 modular valves

**Product ID**

**Manifold material**

Aluminium

**Relief valve adjustment type \***

Screw = S  
Knob = K

**Relief valve adjustment pressure range \***

35-140 bar = 1  
70-280 bar = 2  
140-420 bar = 3  
35-350 bar (adj. knob) = 3

**Solenoid valve coil connection \***

1 = DIN 43650  
ISO 4400

**Solenoid valve coil voltage \***

OB = 12V DC  
OC = 24V DC  
OD = 48V DC  
OV = 24V RAC  
OU = 110V RAC  
AH = 230V RAC

**Solenoid valve manual override \***

E0 = Without  
EP = Push (NA, 2A)  
EV = Screw (NC, 2C)  
EG = Push and twist (NA, 2A)

**Solenoid valve spool type \***

NA = Normally open  
NC = Normally closed

\* Omit if not required. For example to order the product without the relief cartridge valve, omit the pressure range and adjustment type options: eg. H3977A-NC-E0-OC1.  
The manifold will still be provided with the corresponding cavity.

N°	Description	Q.ty
1	Bosch Rexroth relief valve <b>VSPN-10A</b> * depicted with screw adjustment	1
2	Bosch Rexroth coil <b>D36</b> - CLASS H DIN 43650 ISO 4400 *	1
3	Bosch Rexroth solenoid valve <b>VEI-16-10A-NC OD.15.05.36-Y-000000</b> or <b>VEI-16-10A-NA OD.15.06.36-Y-000000</b> depicted without manual override *	1
4	Connector DIN 43650 ISO 4400	1
5	Ø 5,5 through hole for mounting	4
6	OR 108 i. Ø 8,73 cross section 1,78	4

\* for complete technical information, click on the blue link or go to the components section at the end of the catalogue