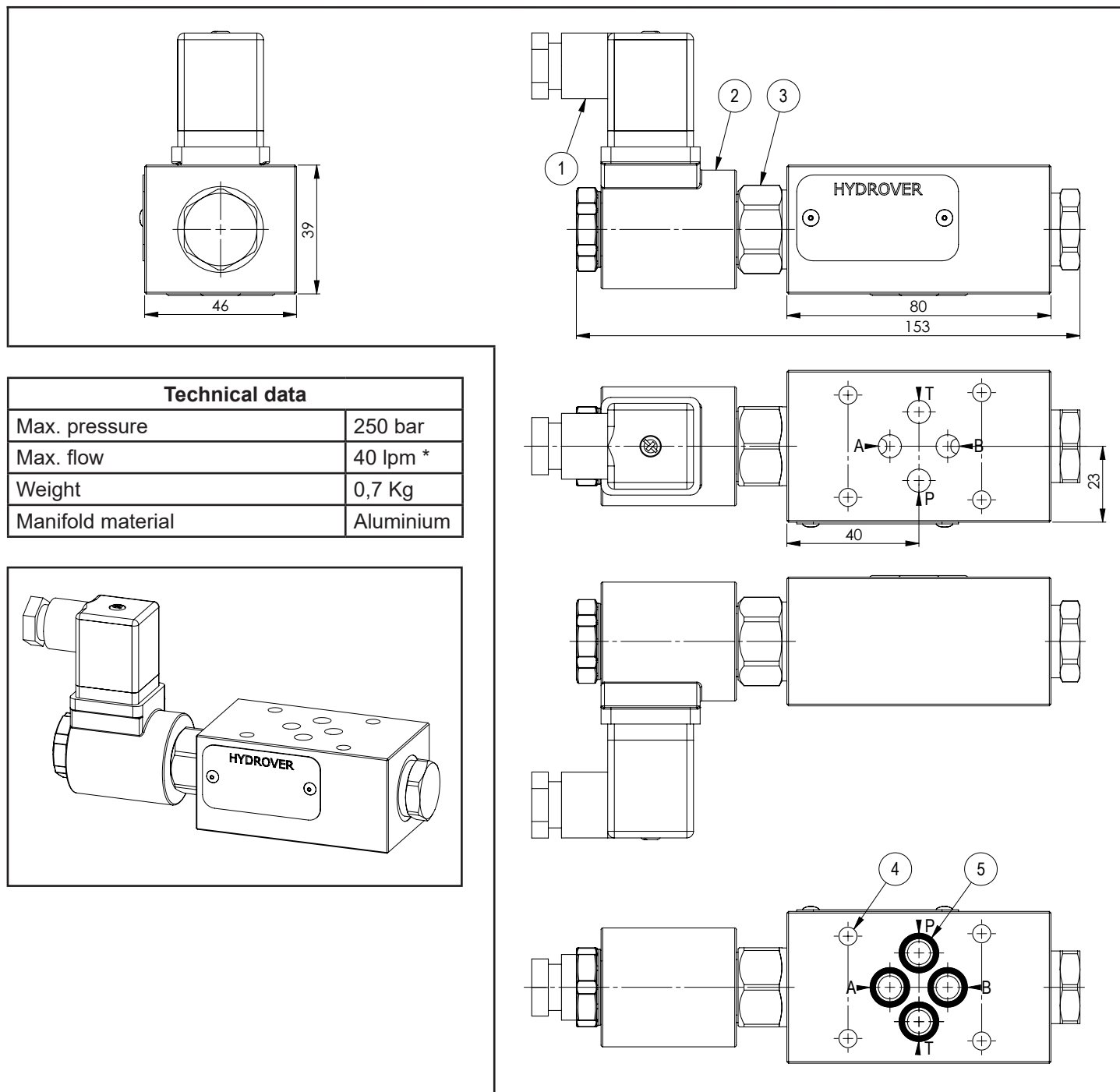


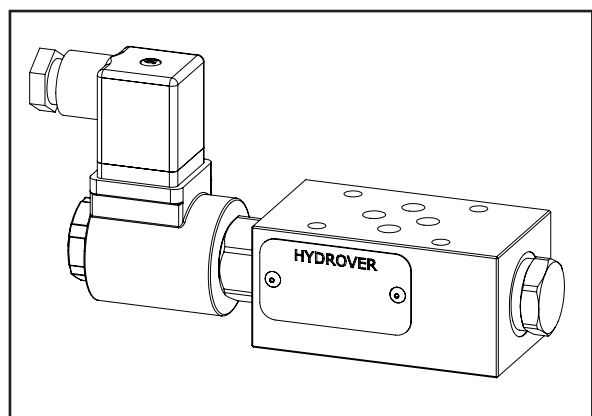
Cetop 3 modular poppet type solenoid operated directional valve between A and B / Float

**H3980**



Dimensions in mm

Technical data	
Max. pressure	250 bar
Max. flow	40 lpm *
Weight	0,7 Kg
Manifold material	Aluminium



N°	Description	Q.ty
1	Connector DIN 43650 ISO 4400	1
2	Bosch Rexroth coil <b>D36</b> - CLASS H DIN 43650 ISO 4400 *	1
3	Bosch Rexroth solenoid valve <b>VEI-16-08A-NC OD.15-31-18-Y-000000</b> (normally closed) or <b>VEI-16-08A-NA OD.15-32-18-Y-000000</b> (normally open) depicted without manual override *	1
4	Ø 5,5 through hole for mounting	4
5	OR 108 i. Ø 8,73 cross section 1,78	1

\* for complete technical information, click on the blue link or go to the components section at the end of the catalogue

Ordering code

H 3 9 8 0 A - \_ \_ - \_ \_ - \_ \_

**Hydrover product**

**Product series**

39 series - Cetop 3 modular valves

**Product ID**

**Manifold material**

Aluminium

**Solenoid valve spool type \***

Normally open double lock

= 2A

Normally closed double lock

= 2C

**Solenoid valve coil connection \***

1 = DIN 43650 ISO 4400

**Solenoid valve coil voltage \***

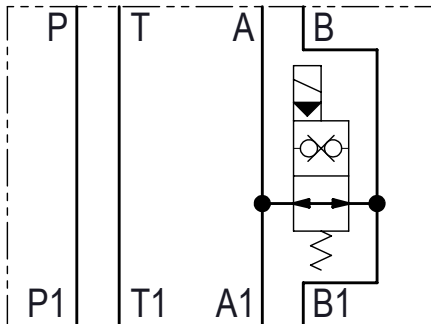
OB = 12V DC  
 OC = 24V DC  
 OD = 48V DC  
 OU = 110V RAC  
 AH = 230V RAC

**Solenoid valve manual override \***

E0 = Without  
 EP = Push (2A)  
 EV = Screw (2C)  
 EG = Push and twist (2A)

\* Omit if not required. For example, to order the product without coil, omit the solenoid valve coil connection and coil voltage options: H3980A-2C-E0.

Normally open double lock



Normally closed double lock

