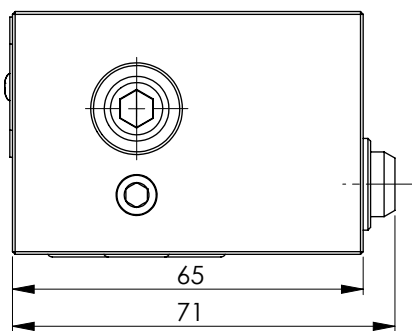
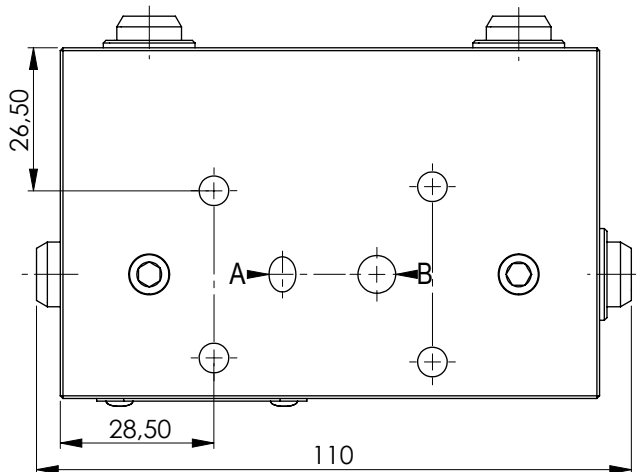
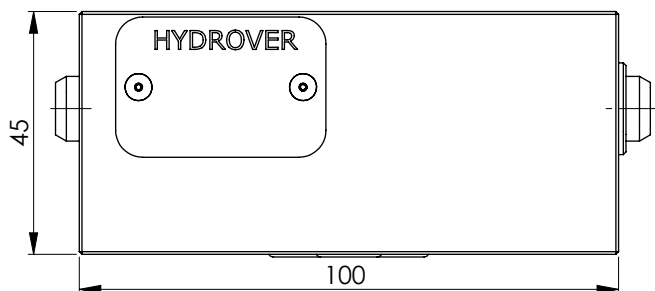


Cetop 3 modular bridge of wheatstone rectifier for 2 way flow regulator **H3991**

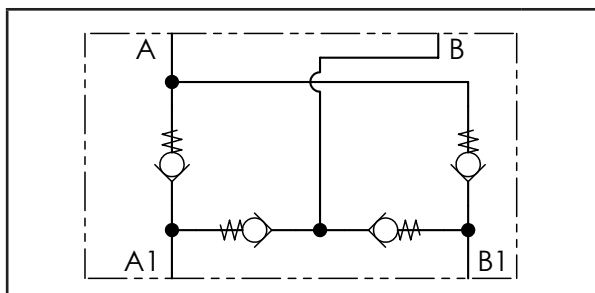
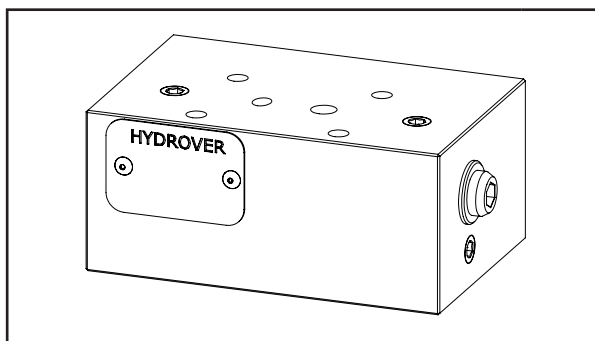
Dimensions in mm



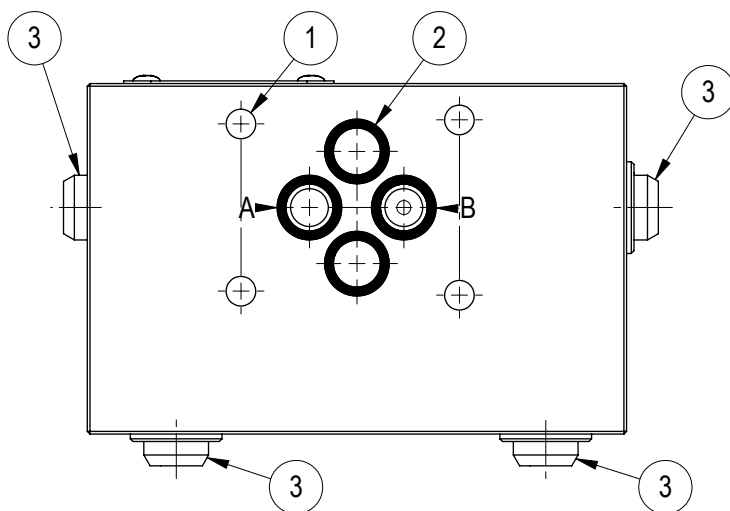
Please note that the standard width of a Cetop 3 modular valve is 45 mm. This one is 71 mm. Consequently, the potential station on the check valve side must be empty.



Technical data	
Max. pressure	250 bar
Max. flow	15 lt/1
Weight	0,9 Kg
Manifold material	Aluminium



N°	Description	Q.ty
1	Ø 5,5 through hole for mounting	4
2	OR 108 i. Ø 8,73 cross section 1,78	4
3	Bosch Rexroth check valve	4



H3910

Ordering code

H	3	9	9	1	A
---	---	---	---	---	---

Hydrover product

Manifold material
Aluminium

Product series

39 series - Cetop 3 modular valves

Product ID