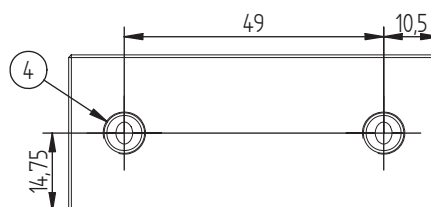
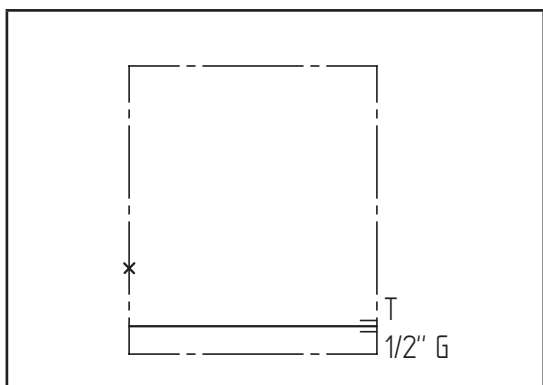
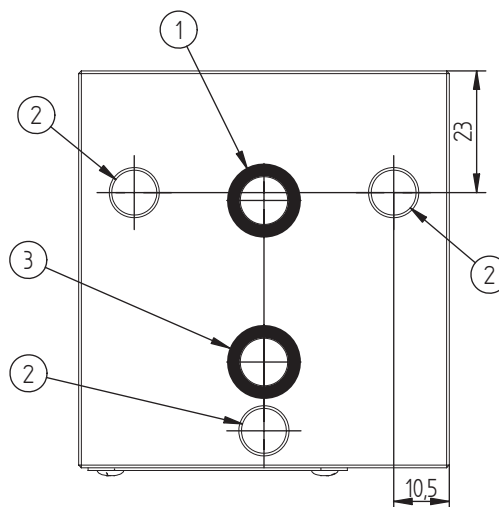
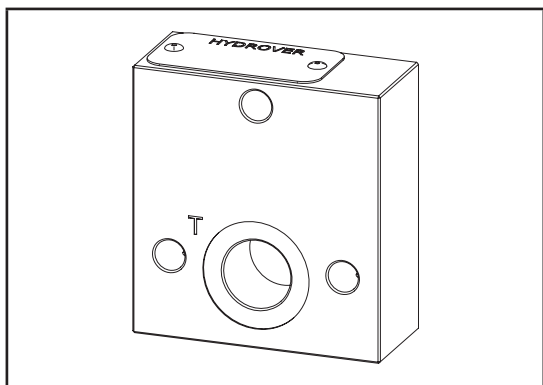


| Technical data | |
|-------------------|-----------|
| Max. pressure | 250 bar |
| Weight | 0,4 Kg |
| Manifold material | Aluminium |
| T port | 1/2" G |



| N° | Description | Q.ty |
|----|---|------|
| 1 | T Ø 9 with OR 2043 i. Ø 10,82 cross section 1,78 | 1 |
| 2 | Ø 8,5 through hole for tie rod | 3 |
| 3 | Closed P with OR 2043 i. Ø 10,82 cross section 1,78 | 1 |
| 4 | M8x15 thread for mounting | 2 |

Ordering code

| | | | | | |
|---|---|---|---|---|---|
| H | 4 | 1 | 0 | 2 | A |
|---|---|---|---|---|---|

Hydrover product

Manifold material
Aluminium

Product series

41 series - Plates for Bosch Rexroth ED bankable valves

Product ID

Flange

