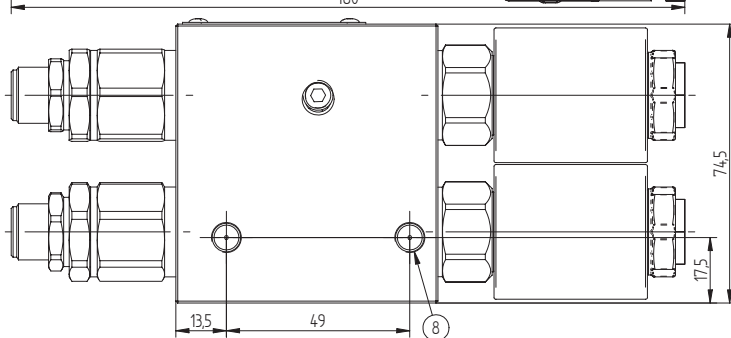
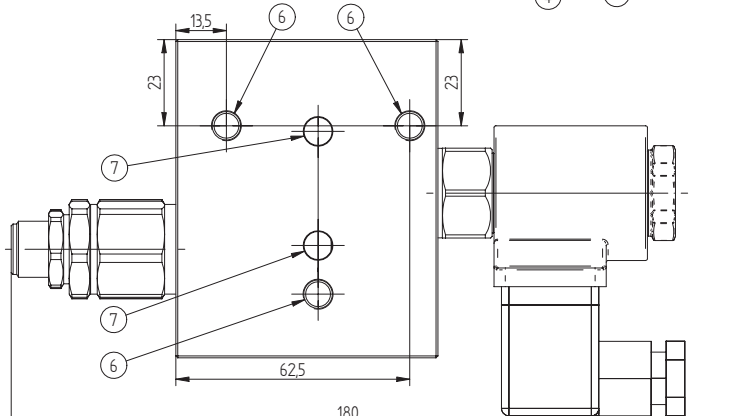
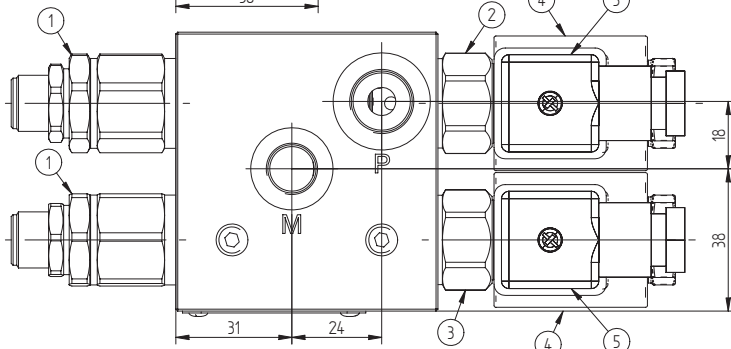
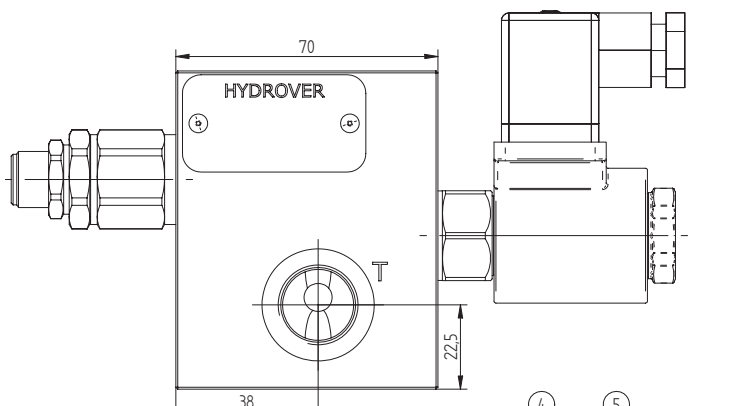
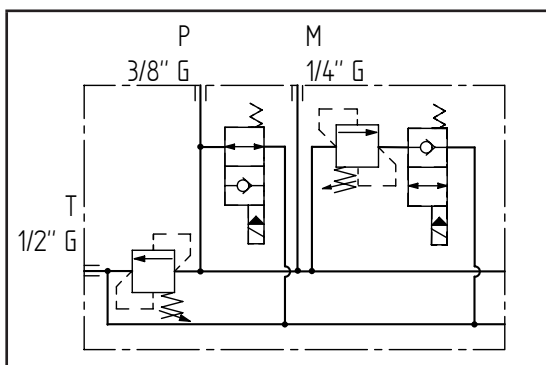
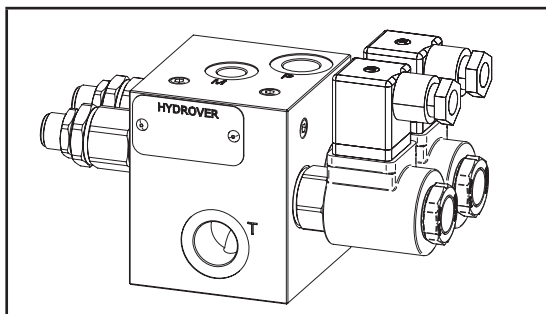


Technical data	
Max. pressure	250 bar
Max. flow	30 lpm
Weight	2,9 Kg
Manifold material	Aluminium
M port	1/4" G
P port	3/8" G
T port	1/2" G



Dimensions in mm

N°	Description	Q.ty
1	Bosch Rexroth relief valve VMD1.025 *	2
2	Bosch Rexroth bypass solenoid valve VEI-16-08A-NA OD.15.06.18-Y-000000 *	1
3	Bosch Rexroth pressure switch solenoid valve VEI-16-08A-NC OD.15.05.18-Y-000000 *	1
4	Bosch Rexroth coil D36 - CLASS H DIN 43650 ISO 4400 *	2
5	Connector DIN 43650 ISO 4400	2
6	M8x17 for tie rod	3
7	Ø 7,5 hole without counterbore for O-ring (P-T)	2
8	M8x15 thread for mounting	2

* for complete technical information, click on the blue link or go to the components section at the end of the catalogue

Ordering code

H 4 1 0 6 A - - - - - - - - - -

Hydrover product

Product series
41 series - Plates for Bosch Rexroth ED bankable valves

Product ID

Manifold material
Aluminium

Relief valves adjustment type *
Screw = S

Relief valves adjustment pressure range *

1° stadio 25-120 bar, 2° stadio 25-120 bar	= 11
1° stadio 40-200 bar, 2° stadio 25-120 bar	= 21
1° stadio 200-350 bar, 2° stadio 25-120 bar	= 31
1° stadio 40-200 bar, 2° stadio 40-200 bar	= 22
1° stadio 200-350 bar, 2° stadio 40-200 bar	= 32
1° stadio 200-350 bar, 2° stadio 200-350 bar	= 33

Solenoid valves coil connection *
1 = DIN 43650
ISO 4400

Solenoid valves coil voltage *

OB =	12V DC
OC =	24V DC
OD =	48V DC
OU =	110V RAC
AH =	230V RAC

Pressure switch solenoid valve manual override *

E0 =	Without
EV =	Screw

Bypass solenoid valve manual override *

E0 =	Without
EP =	Push
EG =	Push and twist

* Omit if not required. For example, to order the product without the bypass solenoid cartridge valve, omit the coil connection, coil voltage and manual override options: H4106A-S32-E0-OB1. The manifold will still be provided with the corresponding cavity. To inhibit a function, replace the related valve options with TL: eg H4106A-S32-TL-E0-OB1. In the cavity it will be mounted a long plug.

Valve	Cavity	Long plug code
Solenoid valve VEI-16-08A-NA OD.15.06.18-Y-000000 / VEI-16-08A-NC OD.15.05.18-Y-000000	CA-08A-2N	0489A2005600000
Pressure relief valve VMD1.025	VMD1.025	R-800-016

