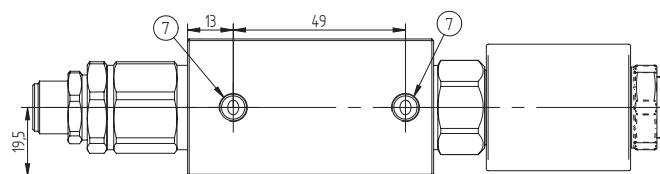
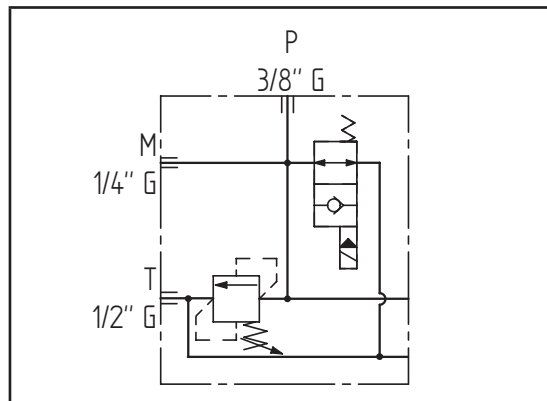
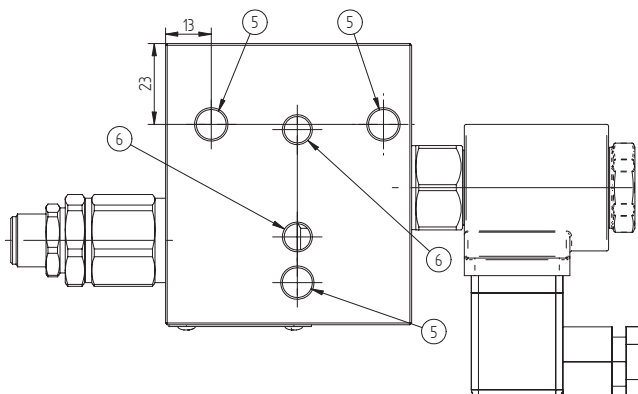
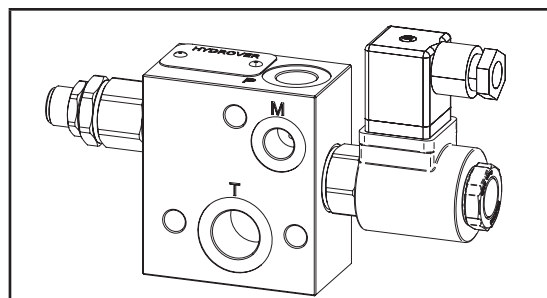
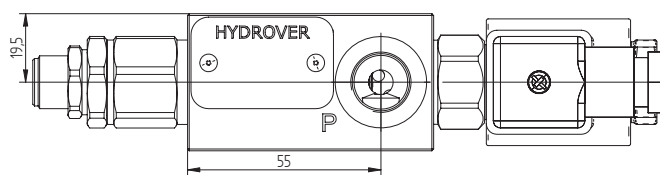


Technical data	
Max. pressure	250 bar
Max. flow	30 lpm
Weight	1 Kg
Manifold material	Aluminium
M port	1/4" G
P port	3/8" G
T port	1/2" G



Dimensions in mm

N°	Description	Q.ty
1	Bosch Rexroth relief valve <b>VMD1.025</b> *	1
2	Bosch Rexroth bypass solenoid valve <b>VEI-16-08A-NA OD.15.06.18-Y-000000</b> depicted without manual override *	1
3	Bosch Rexroth coil <b>D36</b> - CLASS H DIN 43650 ISO 4400 *	1
4	Connector DIN 43650 ISO 4400	1
5	Ø 8,5 through hole for tie rod	3
6	Ø 7,5 hole without counterbore for O-ring (P-T)	2
7	M8x15 thread for mounting	2

\* for complete technical information, click on the blue link or go to the components section at the end of the catalogue

Ordering code

H 4 1 0 7 A - - - - -

**Hydrover product**

**Product series**

41 series - Plates for Bosch Rexroth ED bankable valves

**Product ID**

**Manifold material**

Aluminium

**Relief valve adjustment type \***

Screw

= S

**Relief valve adjustment pressure range \***

25-120 bar

= 1

40-200 bar

= 2

200-350 bar

= 3

**Solenoid valve coil connection \***

1 = DIN 43650 ISO 4400

**Solenoid valve coil voltage \***

OB = 12V DC  
 OC = 24V DC  
 OD = 48V DC  
 OU = 110V RAC  
 AH = 230V RAC

**Solenoid valve manual override \***

E0 = Without  
 EP = Push  
 EG = Push and twist

\* Omit if not required. For example, to order the product without the bypass solenoid cartridge valve, omit the coil connection, coil voltage and manual override options: H4107A-S2.

The manifold will still be provided with the corresponding cavity.

To inhibit a function, replace the related valve options with TL: eg H4107A-S2-TL.

In the cavity it will be mounted a long plug.

Valve	Cavity	Long plug code
Solenoid valve VEI-16-08A-NA OD.15.06.18-Y-000000	CA-08A-2N	<b>0489A2005600000</b>
Pressure relief valve VMD1.025	VMD1.025	R-800-016

**Flange**

