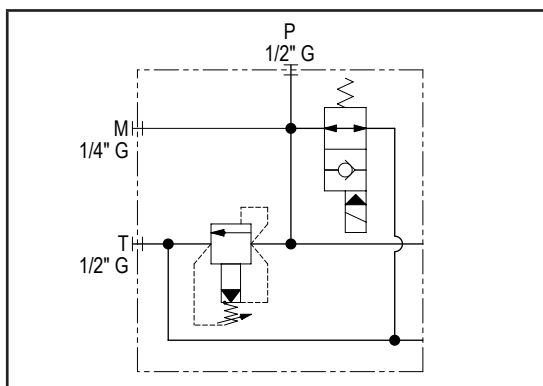
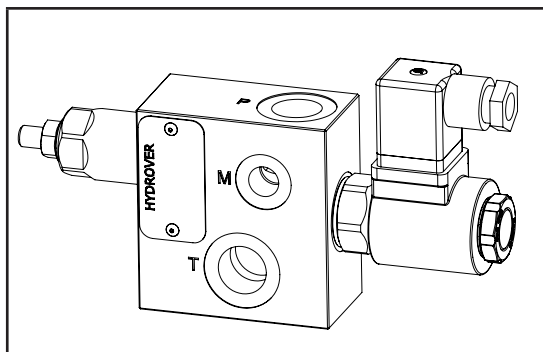


Dimensions in mm

Technical data

Max. pressure	250 bar
Max. flow	60 lpm
Weight	1,3 Kg
Manifold material	Aluminium
M port	1/4" G
P / T ports	1/2" G



N°	Description	Q.ty
1	Bosch Rexroth relief valve VSPN-10A *	1
2	Bosch Rexroth bypass solenoid valve VEI-16-10A-NA OD.15.06.36-Y-000000 *	1
3	Bosch Rexroth coil D36 - CLASS H DIN 43650 ISO 4400 *	1
4	Connector DIN 43650 ISO 4400	1
5	M8x17 for tie rod	3
6	Ø 9 hole without counterbore for O-ring (P-T)	2
7	M8x15 thread for mounting	2

* for complete technical information, click on the blue link or go to the components section at the end of the catalogue

Ordering code

H 4 1 0 8 A - - - - -

Hydrover product

Product series

41 series - Plates for Bosch Rexroth ED bankable valves

Product ID

Manifold material

Aluminium

Relief valve adjustment type *

Screw = S
Knob = K

Relief valve adjustment pressure range *

35-140 bar = 1
70-280 bar = 2
140-420 bar = 3
35-350 bar (adj. knob) = 3

Solenoid valve coil connection *

1 = DIN 43650 ISO 4400

Solenoid valve coil voltage *

OB = 12V DC
OC = 24V DC
OD = 48V DC
OU = 110V RAC
AH = 230V RAC

Solenoid valve manual override *

E0 = Without
EP = Push
EG = Push and twist

* Omit if not required. For example, to order the product without the bypass solenoid cartridge valve, omit the coil connection, coil voltage and manual override options: H4108A-S2.
The manifold will still be provided with the corresponding cavity.
To inhibit a function, replace the related valve options with TL: eg H4108A-S2-TL.
In the cavity it will be mounted a long plug.

Valve	Cavity	Long plug code
Solenoid valve VEI-16-10A-NA OD.15.06.36-Y-000000	CA-10A-2N	0489A2008500000
Pressure relief valve VSPN-10A	CA-10A-2N	0489A2008500000

Flange

