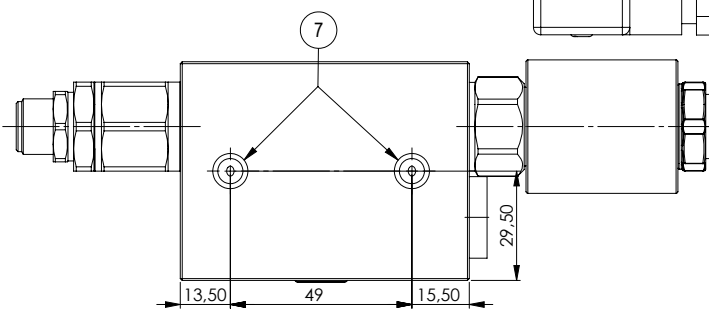
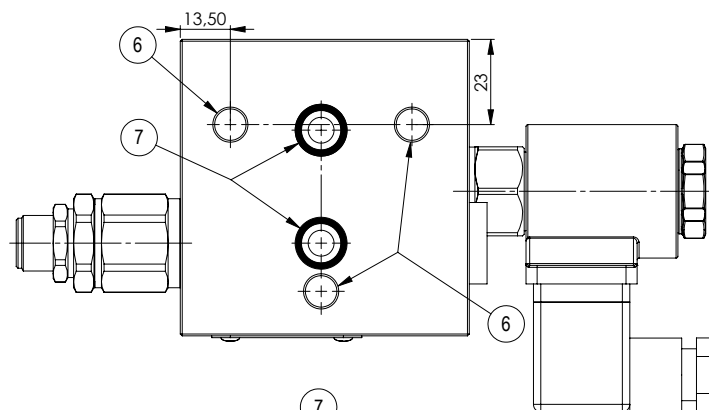
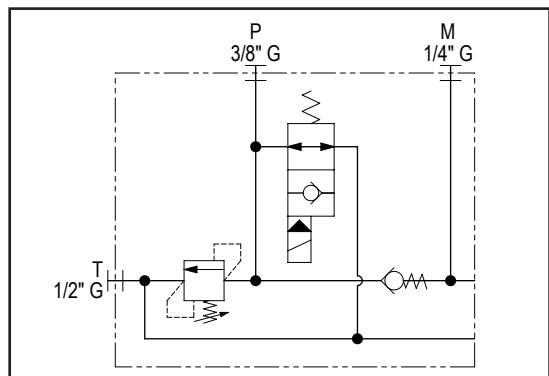
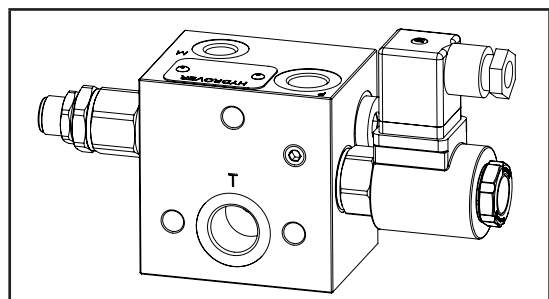


Technical data	
Max. pressure	250 bar
Max. flow	30 lpm
Weight	1,4 Kg
Manifold material	Aluminium
M port	1/4" G
P port	3/8" G
T port	1/2" G



Dimensions in mm

N°	Description	Q.ty
1	Check valve 0TU301000200 (under the plug) *	1
2	Bosch Rexroth relief valve VMD1.025 *	1
3	Bosch Rexroth bypass solenoid valve VEI-16-08A-NA OD.15.06.18-Y-000000 depicted without manual override *	1
4	Bosch Rexroth coil D36 - CLASS H DIN 43650 ISO 4400 *	1
5	Connector DIN 43650 ISO 4400	1
6	Ø 8,5 through hole for tie rod	3
7	Ø 7,5 hole with OR 2043 i. Ø 10,82 cross section 1,78 (P-T)	2
8	M8x15 thread for mounting	2

* for complete technical information, click on the blue link or go to the components section at the end of the catalogue

Ordering code

H 4 1 1 2 A - - - - -

Hydrover product

Product series

41 series - Plates for Bosch Rexroth ED bankable valves

Product ID

Manifold material

Aluminium

Relief valve adjustment type *

Screw

= S

Relief valve adjustment pressure range *

25-120 bar

= 1

40-200 bar

= 2

200-350 bar

= 3

Solenoid valve coil connection *

1 = DIN 43650 ISO 4400

Solenoid valve coil voltage *

OB = 12V DC
 OC = 24V DC
 OD = 48V DC
 OU = 110V RAC
 AH = 230V RAC

Solenoid valve manual override *

E0 = Without
 EP = Push
 EG = Push and twist

* Omit if not required. For example, to order the product without the bypass solenoid cartridge valve, omit the coil connection, coil voltage and manual override options: H4112A-S2.

The manifold will still be provided with the corresponding cavity.

To inhibit a function, replace the related valve options with TL: eg H4112A-S2-TL.

In the cavity it will be mounted a long plug.

Valve	Cavity	Long plug code
Solenoid valve VEI-16-08A-NA OD.15.06.18-Y-000000	CA-08A-2N	0489A2005600000
Pressure relief valve VMD1.025	VMD1.025	R-800-016

Flange

