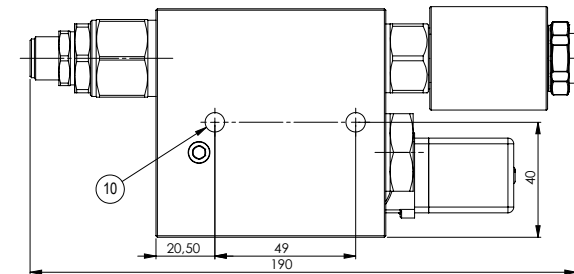
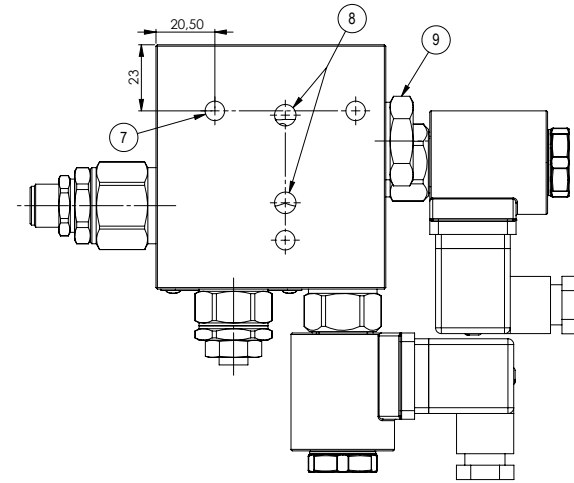
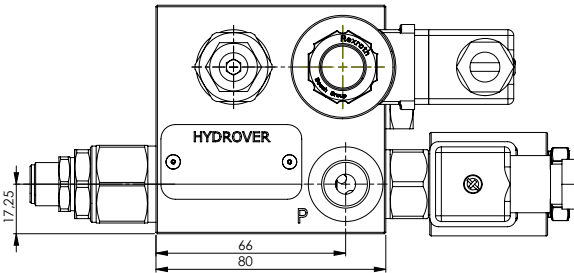
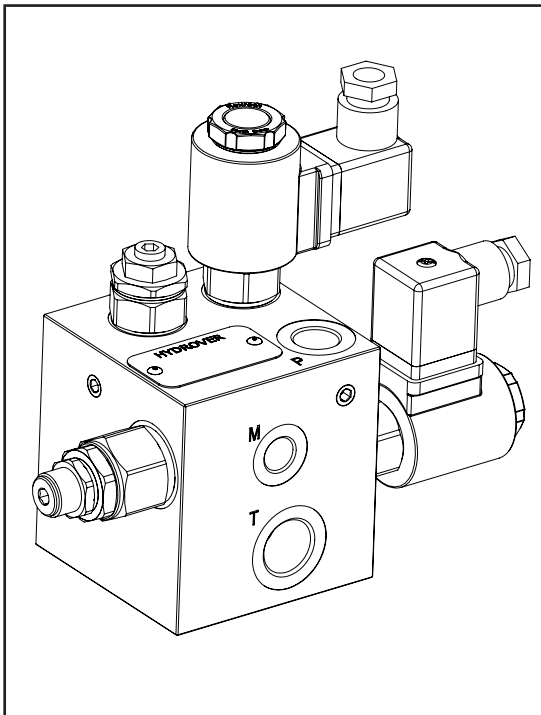
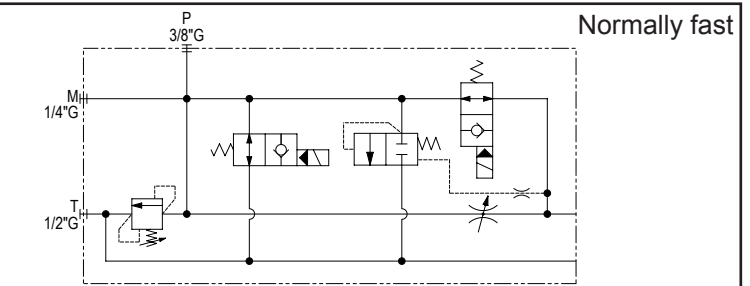
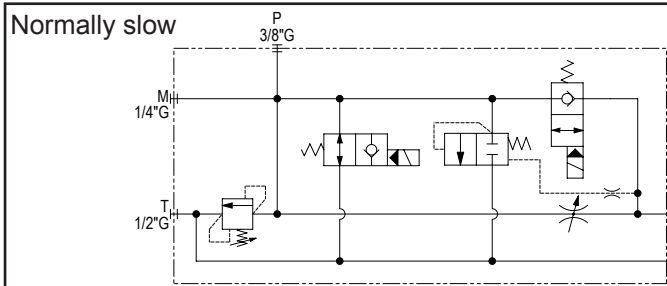


Technical data	
Max. pressure	250 bar
Max. flow	40 lpm
Weight	2,4 Kg
Manifold material	Aluminium
M port	1/4" G
P port	3/8" G
T port	1/2" G



Dimensions in mm



Ordering code

H	4	1	1	5	A	-	_	_	-	_	_	-	_	_	_
---	---	---	---	---	---	---	---	---	---	---	---	---	---	---	---

Hydrover product
Product series

41 series - Plates for Bosch Rexroth ED bankable valves

Product ID
Manifold material

Aluminium

Relief valve adjustment type *

Screw

= S

Relief valve adjustment pressure range *

25-120 bar	= 1
40-200 bar	= 2
200-350 bar	= 3

Solenoid valves coil connection *

 1 = DIN 43650
ISO 4400

Solenoid valves coil voltage *

OB =	12V DC
OC =	24V DC
OD =	48V DC
OU =	110V RAC
AH =	230V RAC

Bypass solenoid valve manual override *

E0 =	Without
EP =	Push
EG =	Push and twist

Slow or fast in normal position *

NL =	Normally slow
NR =	Normally fast

* Omit if not required. For example, to order the product without the fast slow solenoid cartridge valve, omit the slow or fast in normal position option: H4115A-S2-E0-OC1. The manifold will still be provided with the corresponding cavity. To inhibit a function, replace the related valve options with TL: eg H4115A-S2-TL-E0-OC1. In the cavity it will be mounted a long plug.

Valve	Cavity	Long plug code
Solenoid valve VEI-16-08A-NA OD.15.05.18-Y-000000 or VEI-16-08A-NC OD.15.06.18-Y-000000	CA-08A-2N	0489A2005600000
Pressure relief valve VMD1.040	CA-10A-2N	0489A2008500000

N°	Description	Q.ty
1	Bosch Rexroth relief valve VMD1.040 *	1
2	Bosch Rexroth bidirectional flow restrictor OD.21.01.03.56 * depicted with screw adjustment	1
3	Bosch Rexroth coil D36 - CLASS H DIN 43650 ISO 4400 *	2
4	Connector DIN 43650 ISO 4400	2
5	Bosch Rexroth solenoid valve for fast slow function VEI-16-08A-NC OD.15.05.18-Y-000000 (normally slow) o VEI-16-08A-NA OD.15.06.18-Y-000000 (normally fast) depicted without manual override *	1
6	Bosch Rexroth bypass solenoid valve VEI-16 OD.15.06.18-Y-000000 *	1
7	M8x17 for tie rod	3
8	Ø 7,5 hole without counterbore for O-ring (P-T)	2
9	Pressure compensator	1
10	M8x15 thread for mounting	2

* for complete technical information, click on the blue link or go to the components section at the end of the catalogue