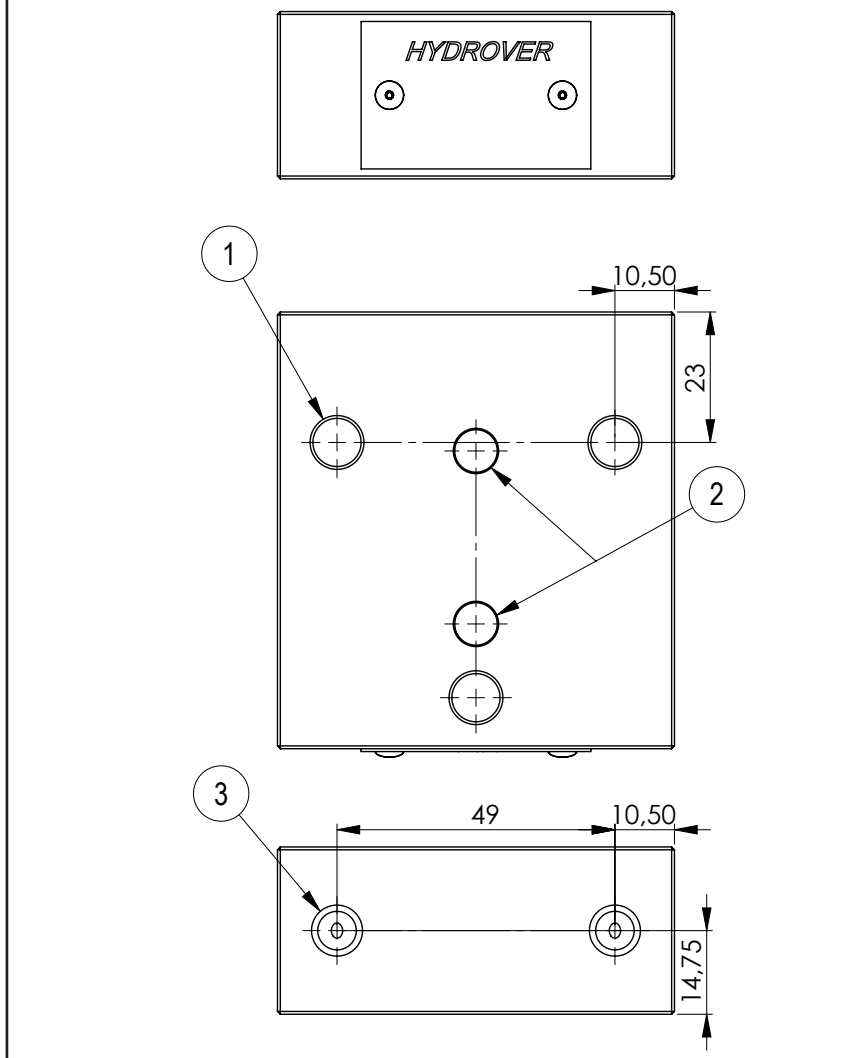
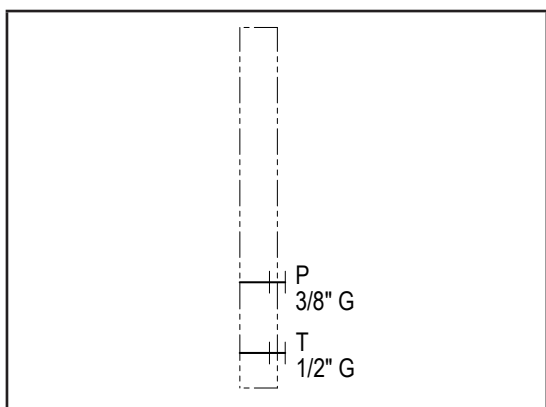
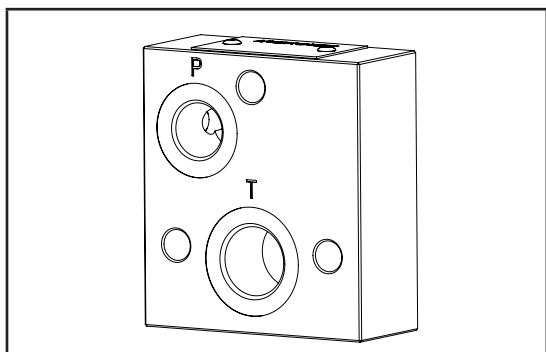


Dimensions in mm

Technical data	
Max. pressure	250 bar
Weight	0,4 Kg
Manifold material	Aluminum
P port	3/8" G
T port	1/2" G



N°	Description	Q.ty
1	Ø 8,5 through hole for tie rod	3
2	Ø 7,5 hole without counterbore for O-ring (P-T)	2
3	M8x15 thread for mounting	2

Ordering code

H	4	1	1	6	A
---	---	---	---	---	---

Hydrover product

Manifold material
Aluminum

Product series

41 series - Plates for Bosch Rexroth ED bankable valves

Product ID

Flange

