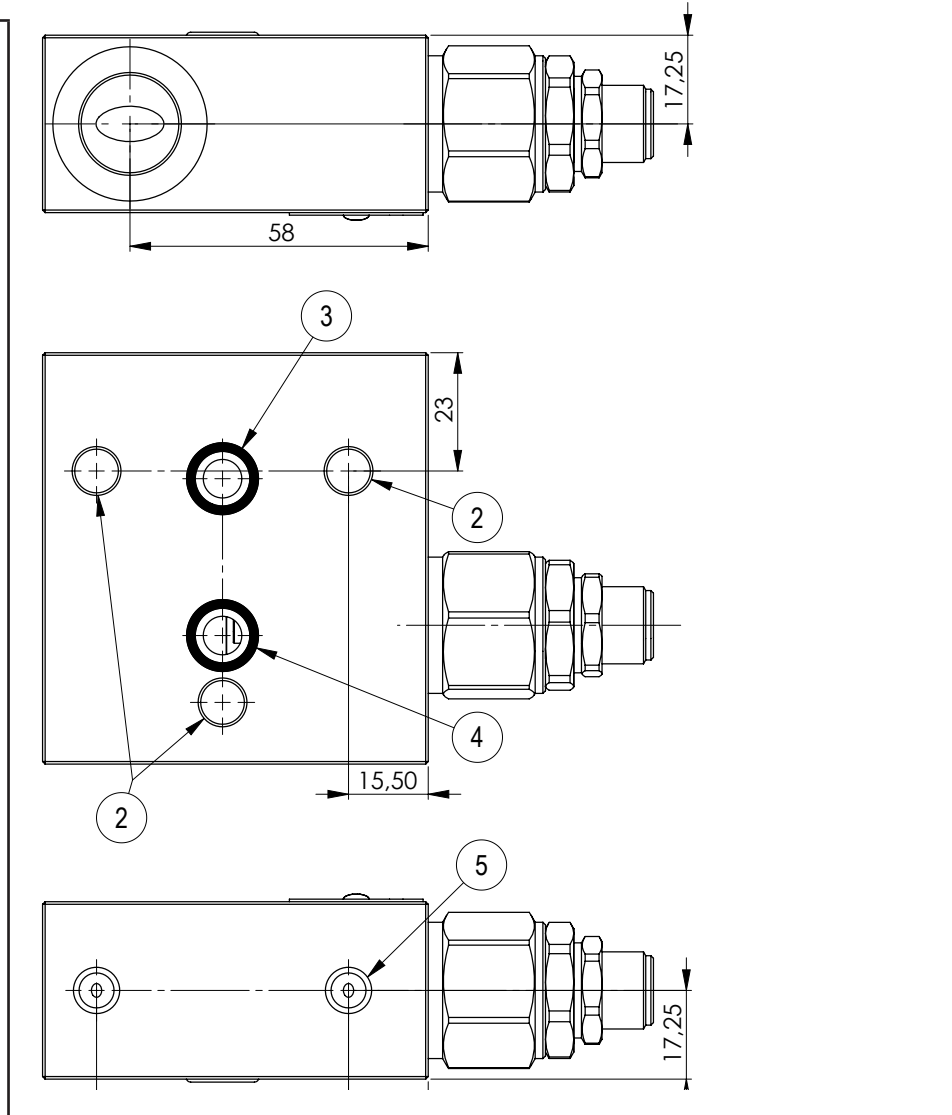
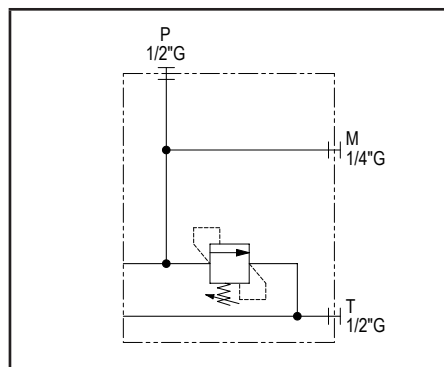
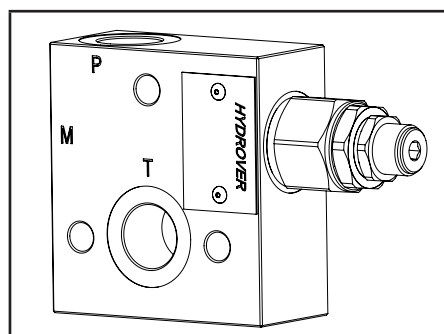


Dimensions in mm

Technical data	
Max. pressure	250 bar
Max. flow	40 lpm
Weight	0,7 Kg
Manifold material	Aluminum
M port	1/4" G
P / T ports	1/2" G



N°	Description	Q.ty
1	Bosch Rexroth relief valve VMD1.040 *	1
2	Ø 8,5 through hole for tie rod	3
3	Ø 9 P with OR 2043 i. Ø 10,82 cross section 1,78	1
4	Ø 9 T with OR 2043 i. Ø 10,82 cross section 1,78	1
5	M8x15 thread for mounting	2

* for complete technical information, click on the blue link or go to the components section at the end of the catalogue

Ordering code

H 4 1 1 7 A - _ _

Hydrover product

Product series

41 series - Plates for Bosch Rexroth ED bankable valves

Product ID

Manifold material

Aluminum

Relief valve adjustment pressure range *

- 1 = 25-120 bar
- 2 = 40-200 bar
- 3 = 200-350 bar

Relief valve adjustment type *

S = Screw

* Omit if not required. To order the product without the pressure relief cartridge valve, omit the adjustment type and pressure range options: H4117A.
The manifold will still be provided with the corresponding cavity.

Flange

