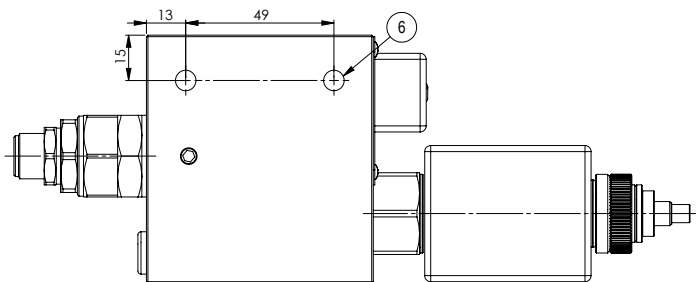
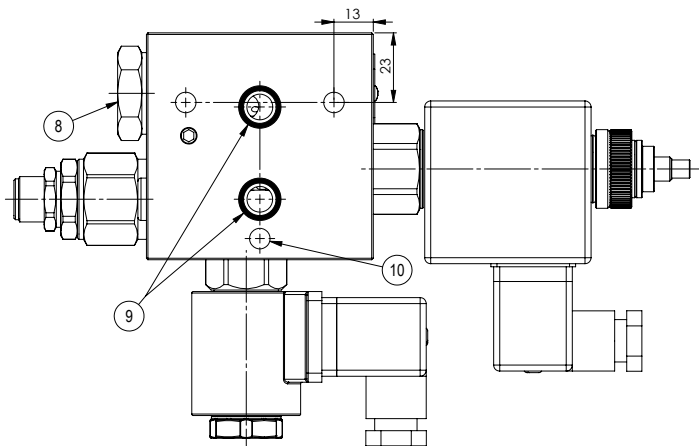
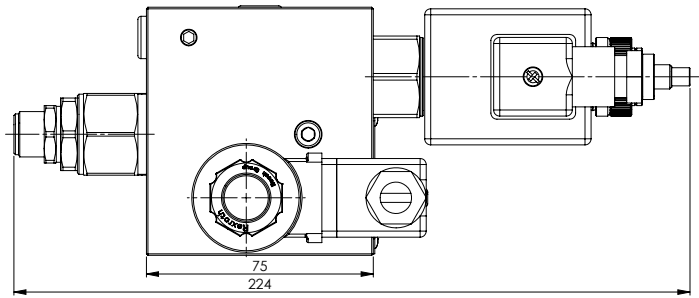
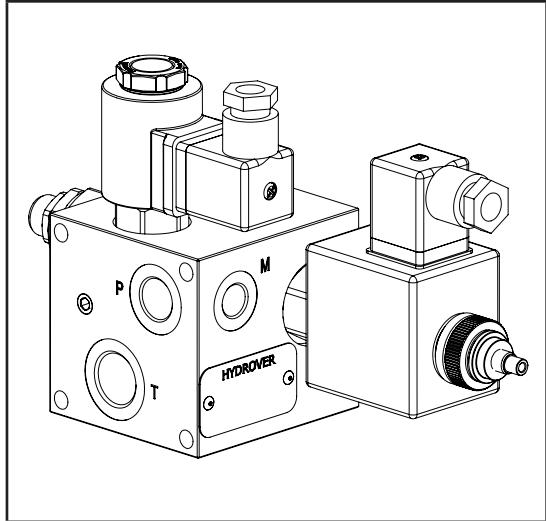
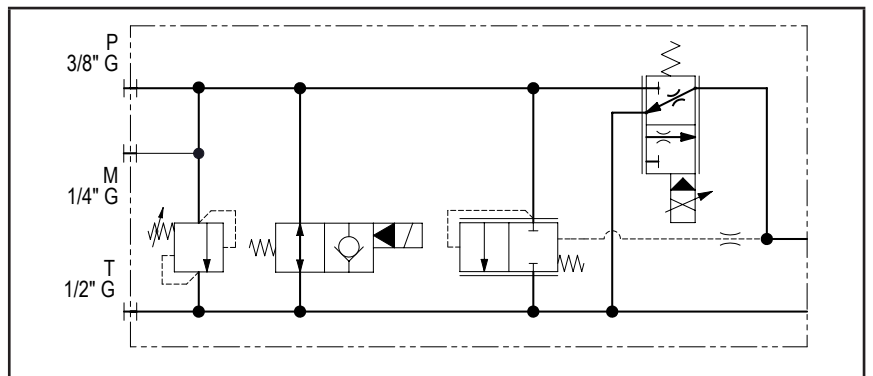


Technical data	
Max. pressure	250 bar
Max. flow	50 lpm
Max. regulated flow	40 lpm
Weight	2,1 Kg
Manifold material	Aluminium
M port	1/4" G
P port	3/8" G
T port	1/2" G



Dimensions in mm



Ordering code

H 4 1 2 1 A _ _ _ - _ _ - _ _ - _ _ - _ _

Hydrover product

Product series
41 series - Plates for Bosch Rexroth ED bankable valves

Product ID

Manifold material
Aluminium

Compensator spring
5,5 bar (standard) = 6
12,5 bar = 1
19 bar = 2

Relief valve adjustment type *
Screw = S

Relief valve adjustment pressure range *
25-120 bar = 1
40-200 bar = 2
200-350 bar = 3

Bypass solenoid valve manual override *
Without = E0
Push = EP
Push and twist = EG

Solenoid valves coil connection *
1 = DIN 43650
ISO 4400

Bypass solenoid valve coil voltage *
OB = 12V DC
OC = 24V DC
OD = 48V DC
OU = 110V RAC
AH = 230V RAC

Proportional solenoid valve max. flow *
1 = 20 lpm
2 = 30 lpm
3 = 40 lpm

To evaluate the max. flow refer to [VEP-5A-2Q-09 / OD.92.05.77-Y-Z](#) proportional solenoid valve catalogue and to the compensator spring.

Proportional solenoid valve manual override *
E0 = Without
EV = Screw

* Omit if not required.

N°	Description	Q.ty
1	Bosch Rexroth relief valve VMD1.040 **	1
2	Bosch Rexroth bypass solenoid valve VEI-16 OD.15.06.18-Y-000000 **	1
3	Bosch Rexroth coil D36 - CLASS H DIN 43650 ISO 4400 **	1
4	Connector DIN 43650 ISO 4400	2
5	Bosch Rexroth coil S5-356 - CLASS H DIN 43650 ISO 4400 - 12V DC **	1
6	M8x15 thread for mounting	6
7	Bosch Rexroth proportional solenoid valve VEP-5A-2Q-09 / OD.92.05.77-Y-Z **	1
8	Compensator	1
9	Ø 9 hole with OR 2043 i. Ø 10,82 cross section 1,78 (P-T)	2
10	M8x17 for tie rod	3

** for complete technical information, click on the blue link or go to the components section at the end of the catalogue