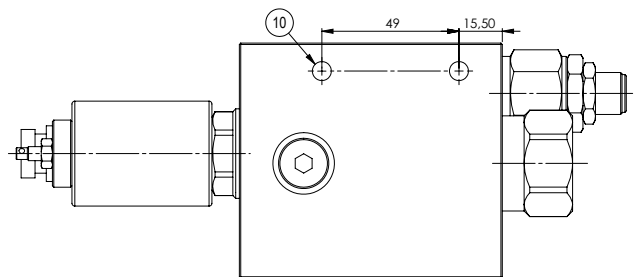
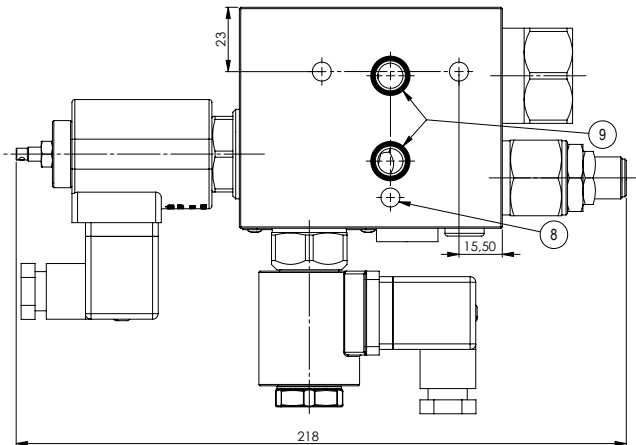
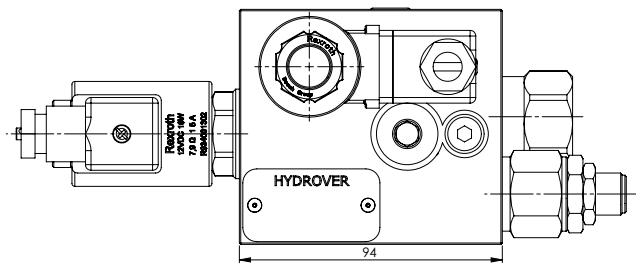
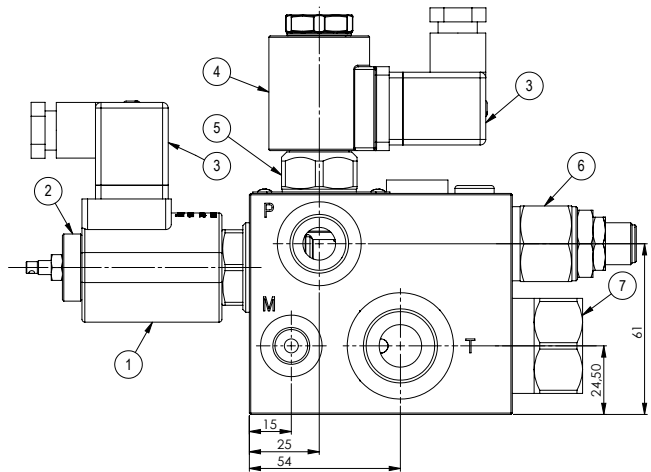
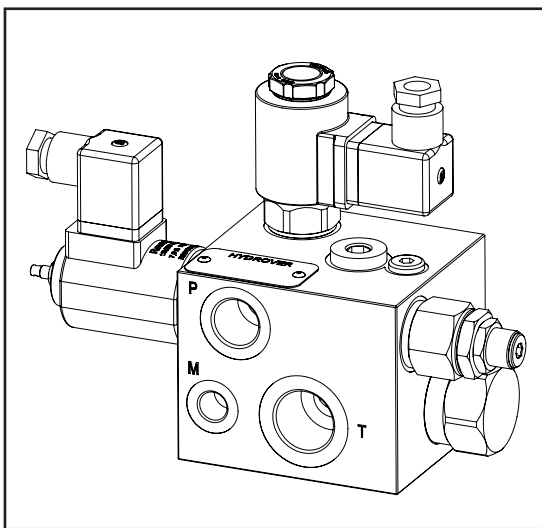
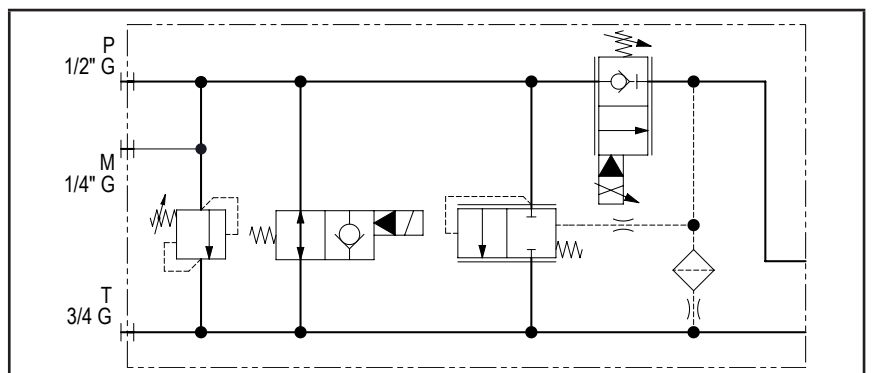


Technical data	
Max. pressure	250 bar
Max. flow	60 lpm
Weight	2,8 Kg
Manifold material	Aluminium
M port	1/4" G
P port	1/2" G
T port	3/4" G



Dimensions in mm



Ordering code

H 4 1 2 2 A - - - - -

Hydrover product

Product series

41 series - Plates for Bosch Rexroth ED bankable valves

Product ID

Manifold material

Aluminium

Relief valve adjustment type *

Screw = S

Relief valve adjustment pressure range *

10-60 bar = 0
 40-110 bar = 1
 110-220 bar = 2
 220-260 bar = 3

Solenoid valves coil connection *

1 = DIN 43650
 ISO 4400

Solenoid valves coil voltage *

OB = 12V DC
 OC = 24V DC
 OD = 48V DC
 OU = 110V RAC
 AH = 230V RAC

Bypass solenoid valve manual override *

E0 = Without
 EP = Push
 EG = Push and twist

* Omit if not required. For example, to order the product without the relief valve, omit the relief valve adjustment type and pressure range options: H4122A-E0-OB1. The manifold will still be provided with the corresponding cavity. To inhibit a function, replace the related valve options with TL: eg H4122A-TL-E0-OB1. In the cavity it will be mounted a long plug.

Valve	Cavity	Long plug code
Solenoid valve VEI-16-10A-NA OD.15.06.36-Y-000000	CA-10A-2N	0489A2008500000
Pressure relief valve VMD1.070	CA-10A-2N	0489A2008500000

N°	Description	Q.ty
1	Bosch Rexroth coil R7 - CLASS H DIN 43650 ISO 4400 - Only 12V DC *	1
2	Bosch Rexroth proportional solenoid valve VEPN-12A OD.95.06.89.72.00.00 *	1
3	Connector DIN 43650 ISO 4400	2
4	Bosch Rexroth coil D36 - CLASS H DIN 43650 ISO 4400 *	1
5	Bosch Rexroth bypass solenoid valve VEI-16-10A-NA OD.15.06.36-Y-000000 *	1
6	Bosch Rexroth relief valve VMD1.070 *	1
7	Compensator	1
8	M8x17 for tie rod	3
9	Ø 9 hole with OR 2043 i. Ø 10,82 cross section 1,78 (P-T)	2
10	M8x15 thread for mounting	2

* for complete technical information, click on the blue link or go to the components section at the end of the catalogue