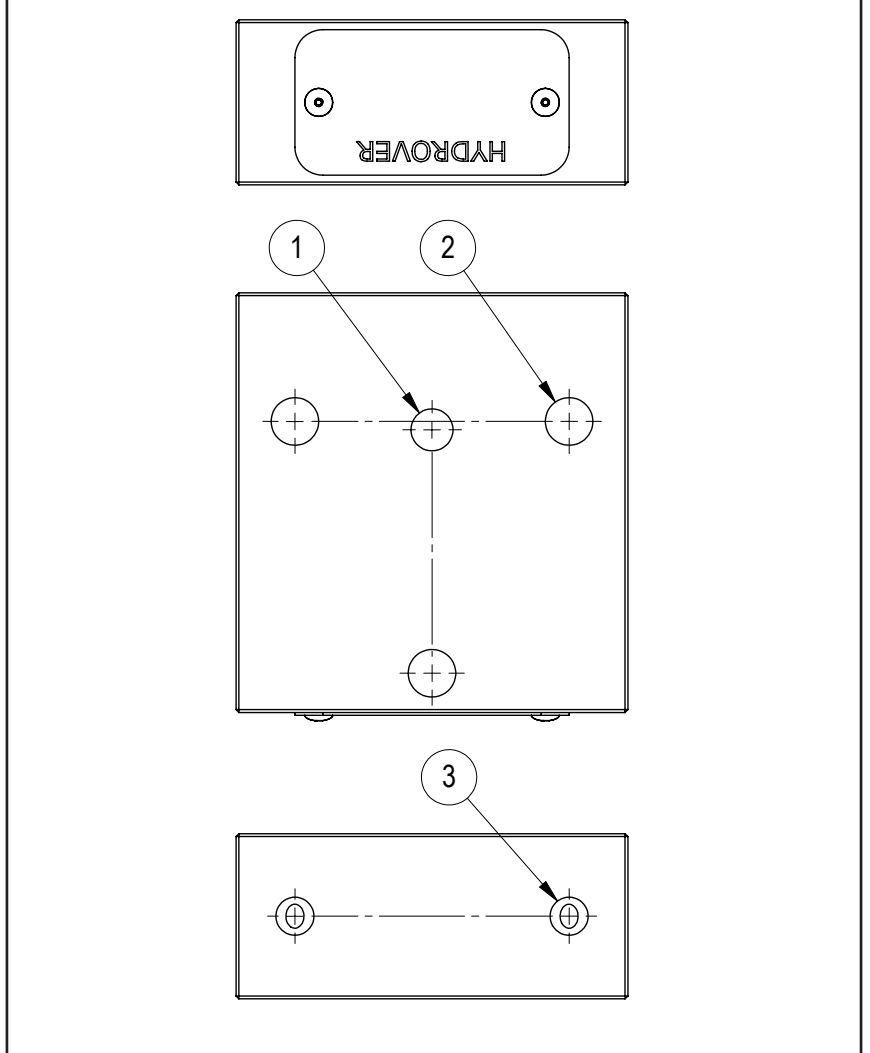
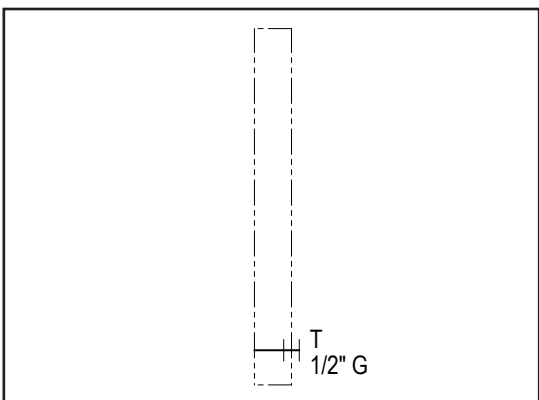
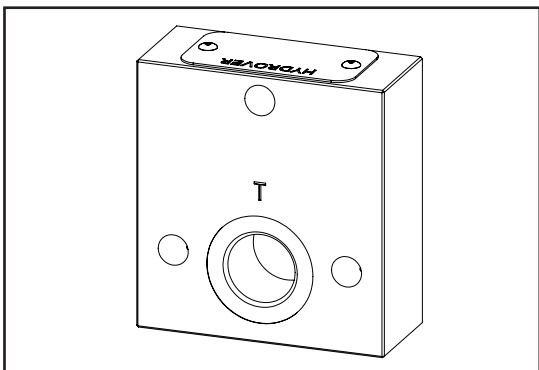


Dimensions in mm

Technical data	
Max. pressure	250 bar
Weight	0,4 Kg
Manifold material	Aluminium
T port	1/2" G



N°	Description	Q.ty
1	T Ø 9 with OR 2043 i. Ø 10,82 cross section 1,78	1
2	Ø 8,5 through hole for tie rod	3
3	M8x15 thread for mounting	2

Ordering code

H	4	1	2	3	A
---	---	---	---	---	---

Hydrover product

Manifold material
Aluminium

Product series

41 series - Plates for Bosch Rexroth ED bankable valves

Product ID

Flange

