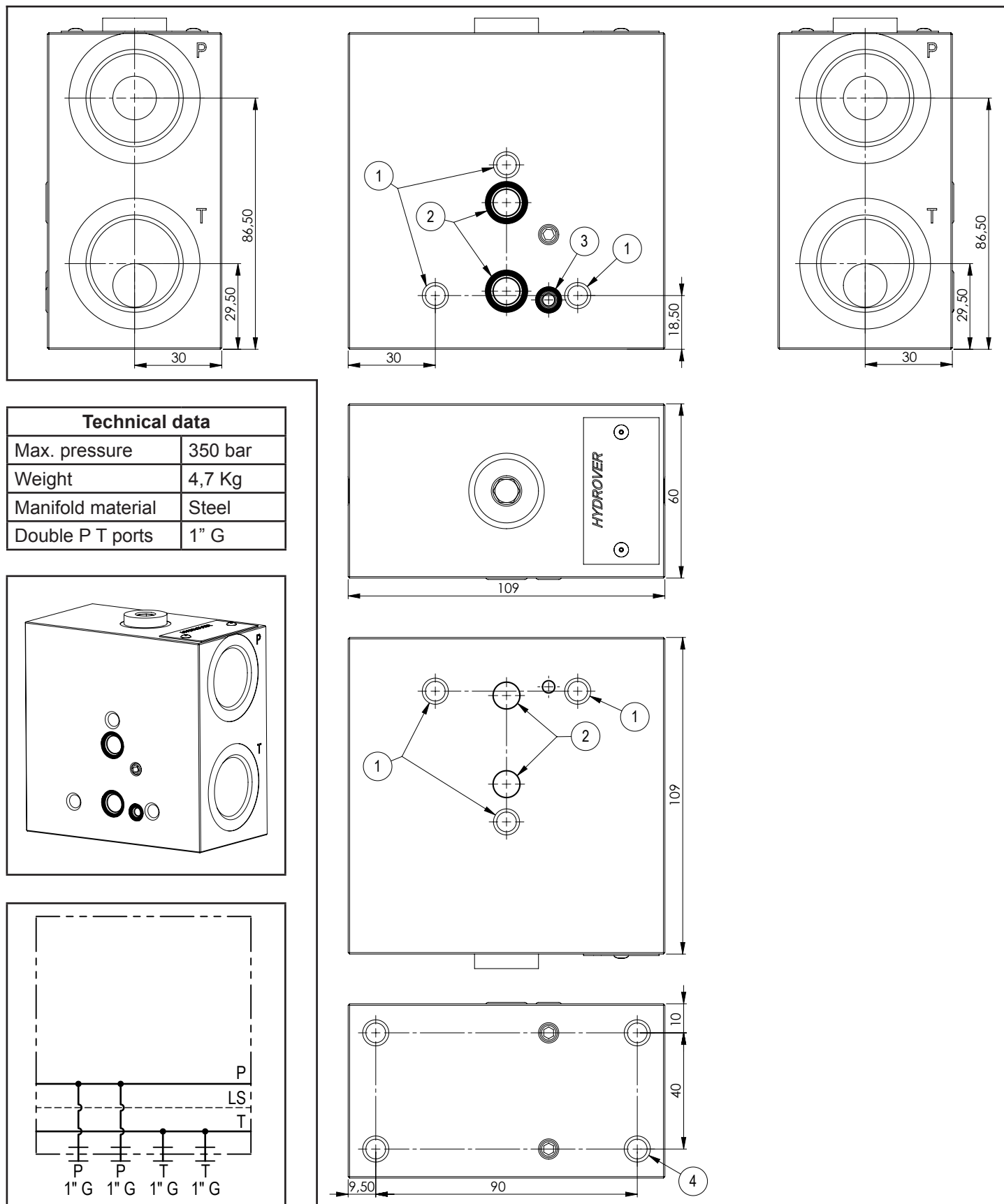


Intermediate load sensing inlet ED plate / dual side P-T ports 1" G **H4201**

Dimensions in mm



Technical data	
Max. pressure	350 bar
Weight	4,7 Kg
Manifold material	Steel
Double P T ports	1" G

N°	Description	Q.ty
1	M8x17 for tie rod	6
2	Ø 9 through hole with counterbore on one side for OR 2043 i. Ø 5,28 cross section 1,78 (P-T)	2
3	LS through hole with counterbore on one side for OR 2021 i. Ø 10,82 cross section 1,78	1
4	M8x15 thread for mounting	4

Ordering code

H	4	2	0	1	S
---	---	---	---	---	---

Hydrover product

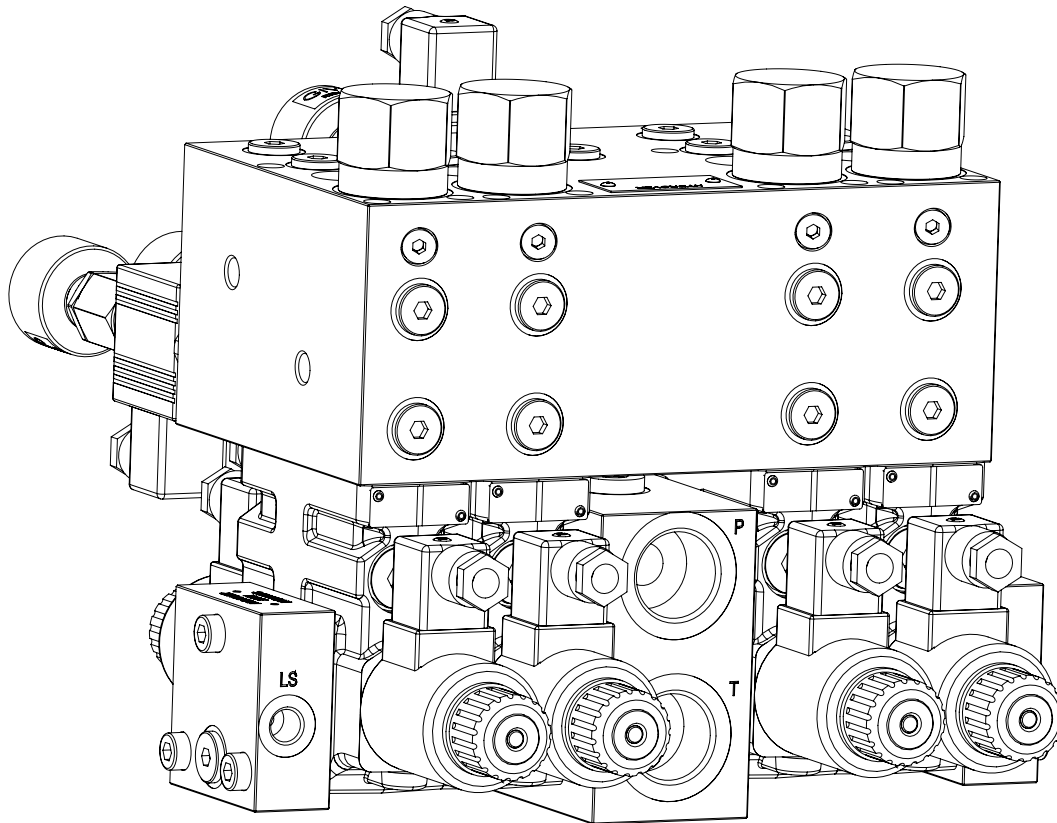
Manifold material
Steel

Product series

42 series - Load sensing plates for Bosch Rexroth ED bankable valves

Product ID

Assembly example



Flange

For tie rods - 3 Ø8,5 through holes or M8x17

P - Ø7,5 or Ø9 - One side must have a counterbore for the O-ring

T - Ø7,5 or Ø9 - One side must have a counterbore for the O-ring

LS - One side must have a counterbore for the O-ring

