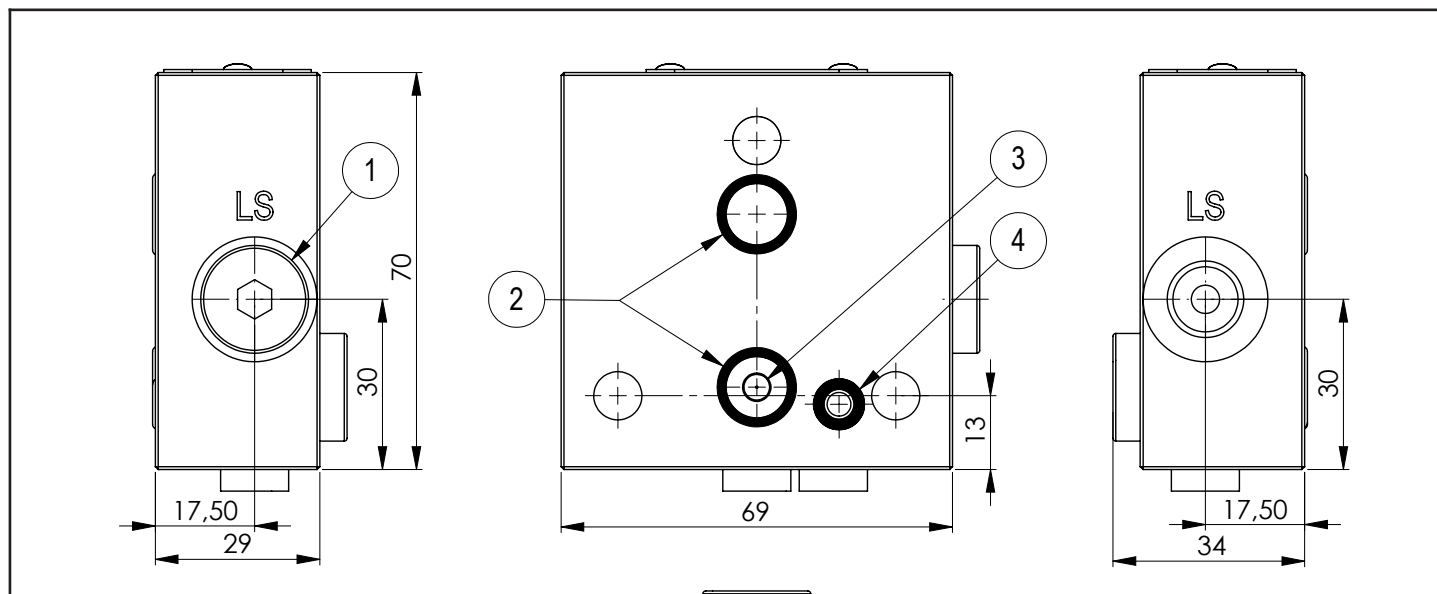
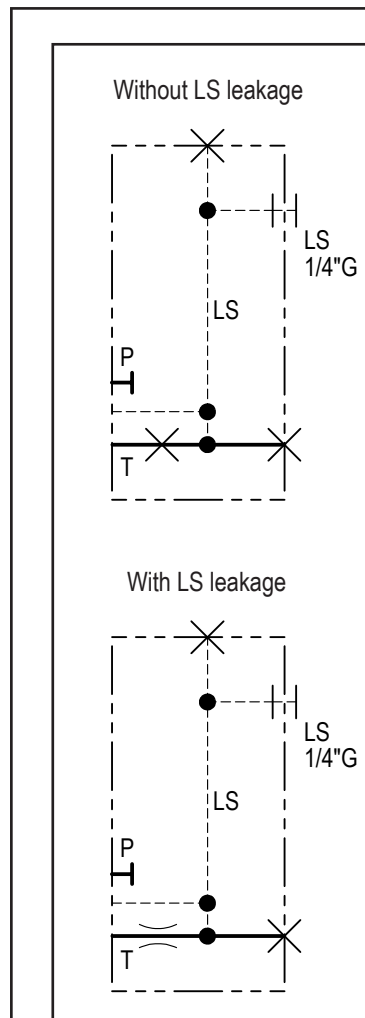
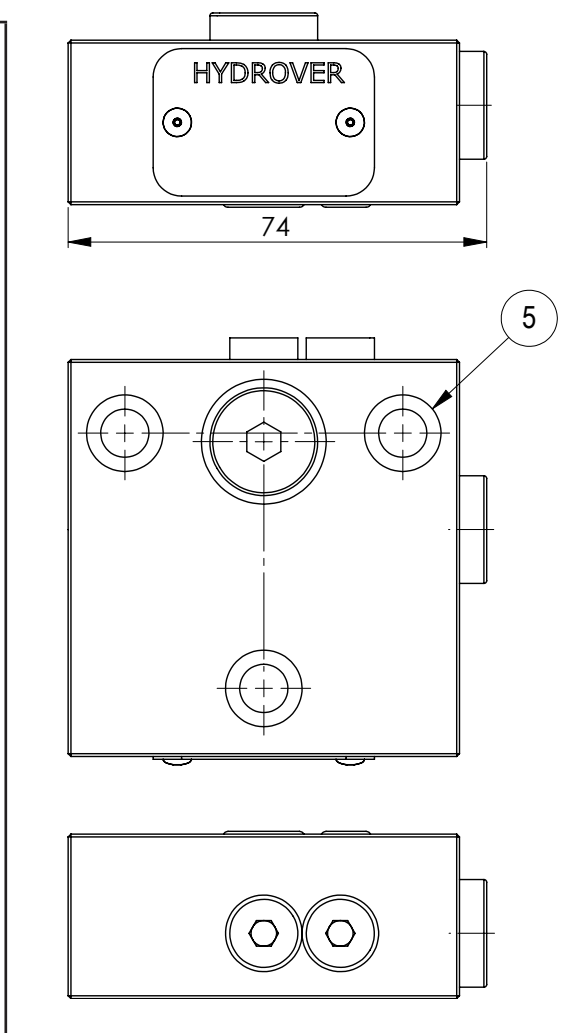
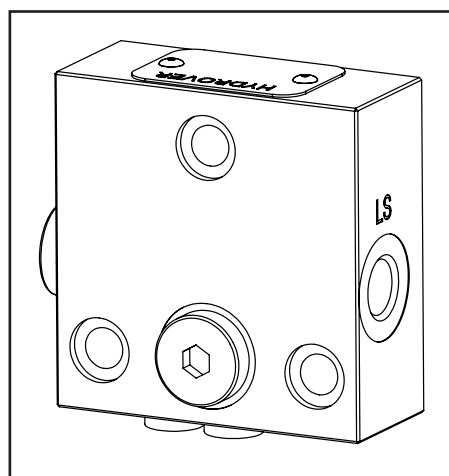


Dimensions in mm

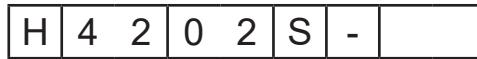


Technical data	
Max. pressure	350 bar
Weight	1 Kg
Manifold material	Steel
LS ports	1/4" G



N°	Description	Q.ty
1	TPCLG 1/4"G plug on LS	1
2	OR 2043 i. Ø 10,82 cross section 1,78 (P-T)	2
3	TPCN 6 conical plug or flow restrictor for LS leakage	1
4	OR 2021 i. Ø 5,28 cross section 1,78 (LS)	1
5	Ø 8,5 through hole for tie rod with counterbore Ø 13,5 $\downarrow$ 2	3

Ordering code



**Hydrover product**

**Product series**

42 series - Load sensing plates for Bosch Rexroth ED bankable valves

**Product ID**

**LS leakage**

- 00 = without
- 04 = Ø 0,4 mm
- 05 = Ø 0,5 mm
- 06 = Ø 0,6 mm
- 07 = Ø 0,7 mm

**Manifold material**

Steel

