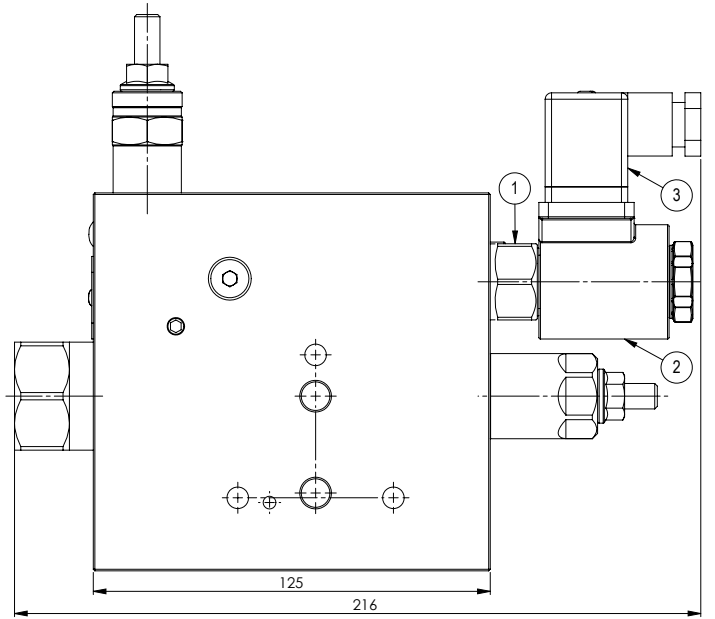
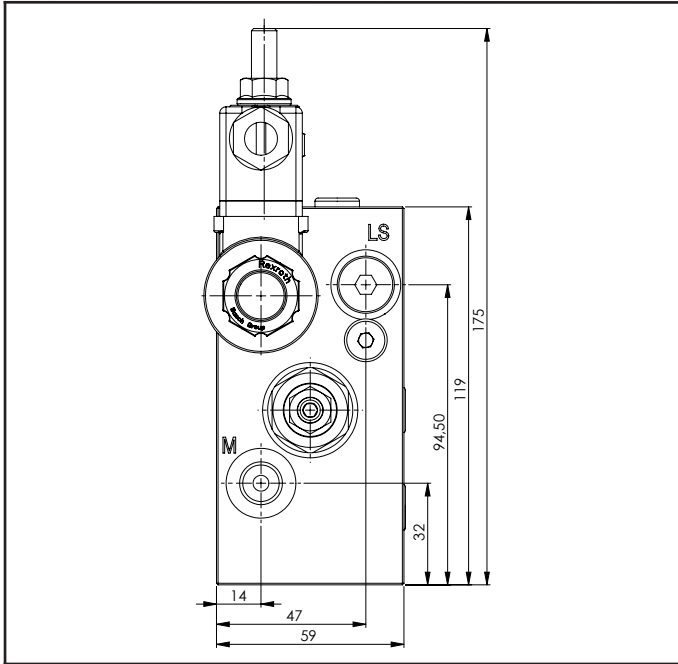


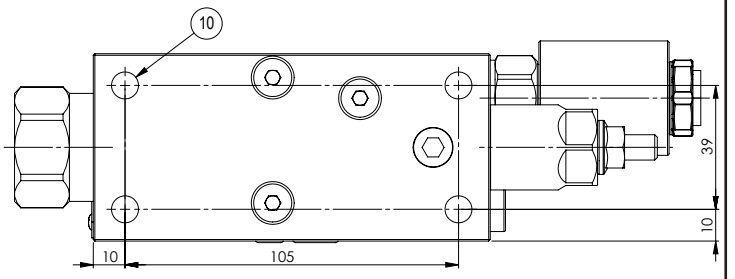
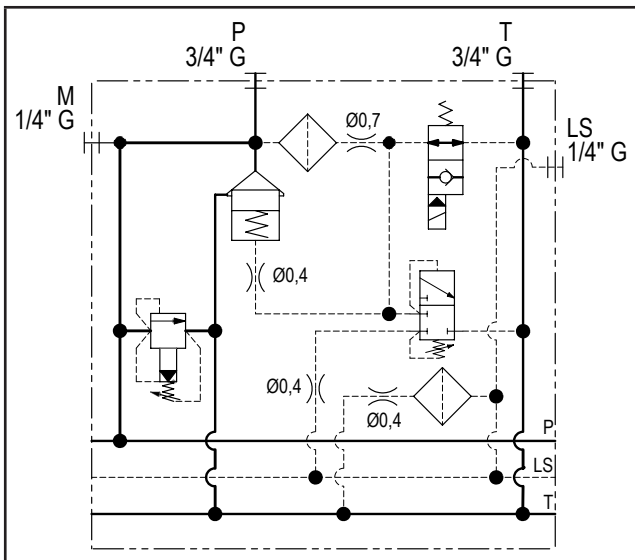
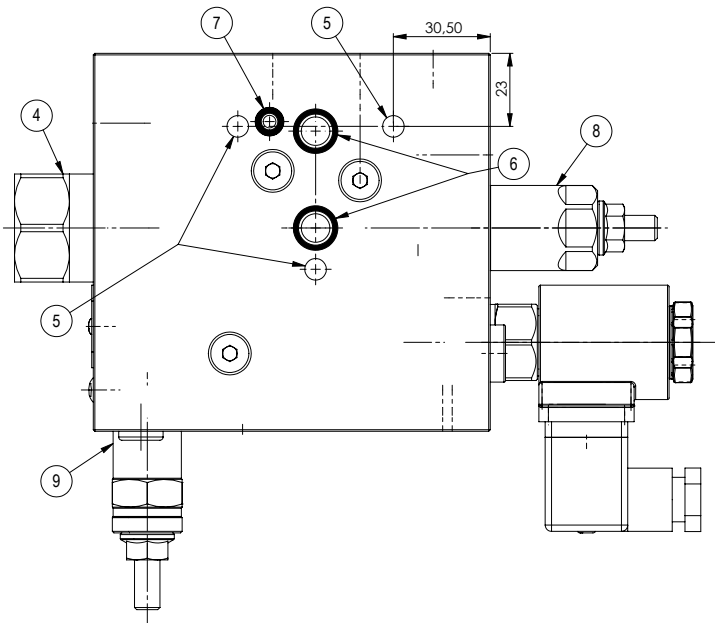
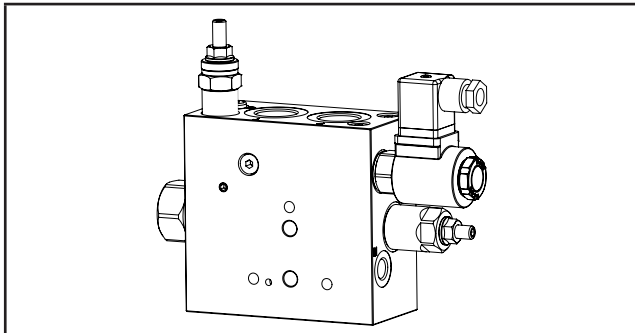
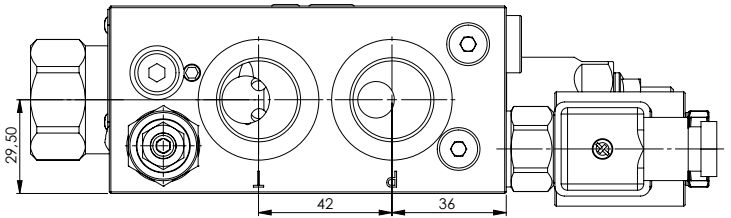
Intermediate load sensing inlet ED plate 3 way compensated variable delta P / relief valve / bypass valve / P-T ports 3/4" G

H4206



Dimensions in mm

Technical data	
Max. pressure	350 bar
Max. flow	90 lpm
Weight	6,7 Kg
Manifold material	Steel
Ports M LS	1/4" G
Ports P T	3/4" G



Ordering code

H	4	2	0	6	S	-	-	-	-	-	-	-	-	-	-	-	-
---	---	---	---	---	---	---	---	---	---	---	---	---	---	---	---	---	---

Hydrover product

Product series

42 series - Load sensing plates for Bosch Rexroth ED bankable valves

Product ID

Manifold material

Steel

Relief valve adjustment type *

Screw = S
Knob = K

Relief valve adjustment pressure range *

35-140 bar = 1
70-280 bar = 2
140-420 bar = 3
35-350 bar (adj. knob) = 3

Solenoid valve coil connection *

1 = DIN 43650
ISO 4400

Solenoid valve coil voltage *

OB = 12V DC
OC = 24V DC
OD = 48V DC
OU = 110V RAC
AH = 230V RAC

Solenoid valve manual override *

E0 = Without
EP = Push
EG = Push and twist

* Omit if not required. For example, to order the product without the relief valve, omit the relief valve adjustment type and pressure range options: H4206S-E0-OC1. The manifold will still be provided with the corresponding cavity. To inhibit a function, replace the related valve options with TL: eg H4206S-TL-E0-OC1. In the cavity it will be mounted a long plug.

Valve	Cavity	Long plug code
Solenoid valve VEI-16-10A-NA OD.15.06.36-Y-000000	CA-08A-2N	0489A2005600000
Pressure relief valve VSPN-10A	CA-10A-2N	0489A2008500000

N°	Description	Q.ty
1	Bosch Rexroth bypass solenoid valve VEI-16-10A-NA OD.15.06.36-Y-000000 **	1
2	Bosch Rexroth coil D36 - CLASS H DIN 43650 ISO 4400 **	1
3	Connector DIN 43650 ISO 4400	1
4	Pressure compensator	1
5	M8x12 for tie rod	6
6	Ø 9 through hole with counterbore on one side for OR 2043 i. Ø 10,82 cross section 1,78 (P-T)	2
7	LS hole with counterbore on one side for OR 2021 i. Ø 5,28 cross section 1,78	1
8	Bosch Rexroth relief valve VSPN-10A ** depicted with screw adjustment	1
9	Bosch Rexroth valve VDP32-07A-03-A for pressure drop regulation from 10 to 30 bar	1
10	M10x15 for mounting	4

** for complete technical information, click on the blue link or go to the components section at the end of the catalogue