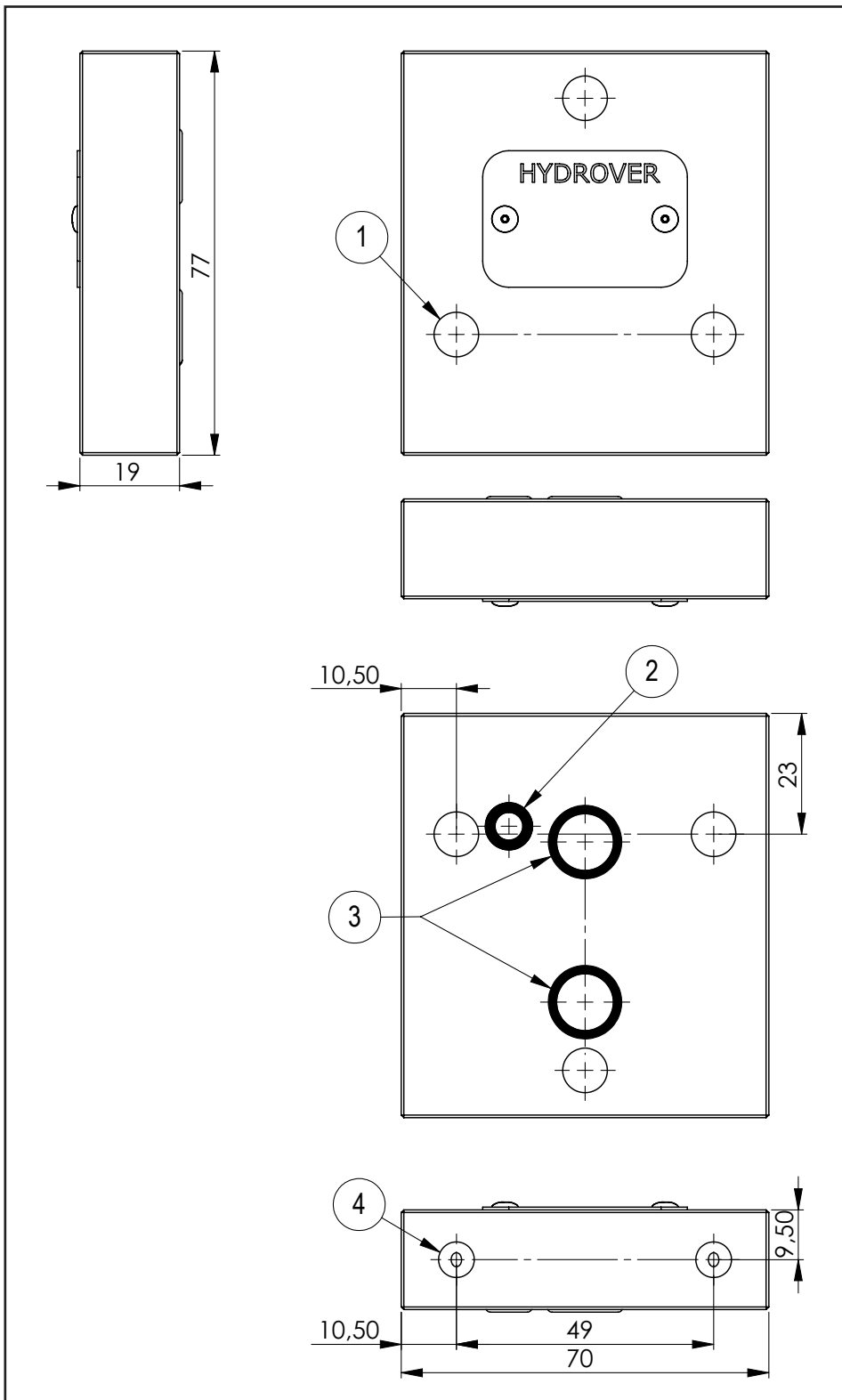
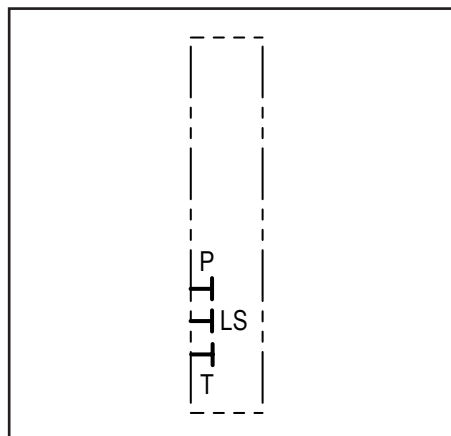
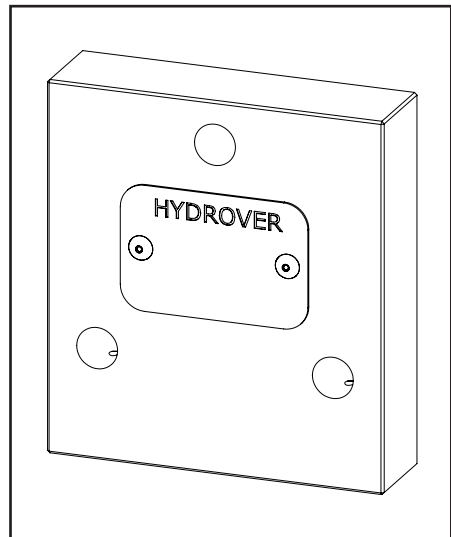


Technical data	
Max. pressure	250 bar
Weight	0,28 Kg
Manifold material	Aluminium



N°	Description	Q.ty
1	Ø 8,5 through hole for tie rod	3
2	OR 2021 i. Ø 5,28 cross section 1,78 (LS)	1
3	OR 2043 i. Ø 10,82 cross section 1,78 (P-T)	2
4	M8x15 thread for mounting	2

Ordering code

H	4	2	2	1	A
---	---	---	---	---	---

Hydrover product

Manifold material
Aluminium

Product series

42 series - Load sensing plates for Bosch Rexroth ED bankable valves

Product ID

