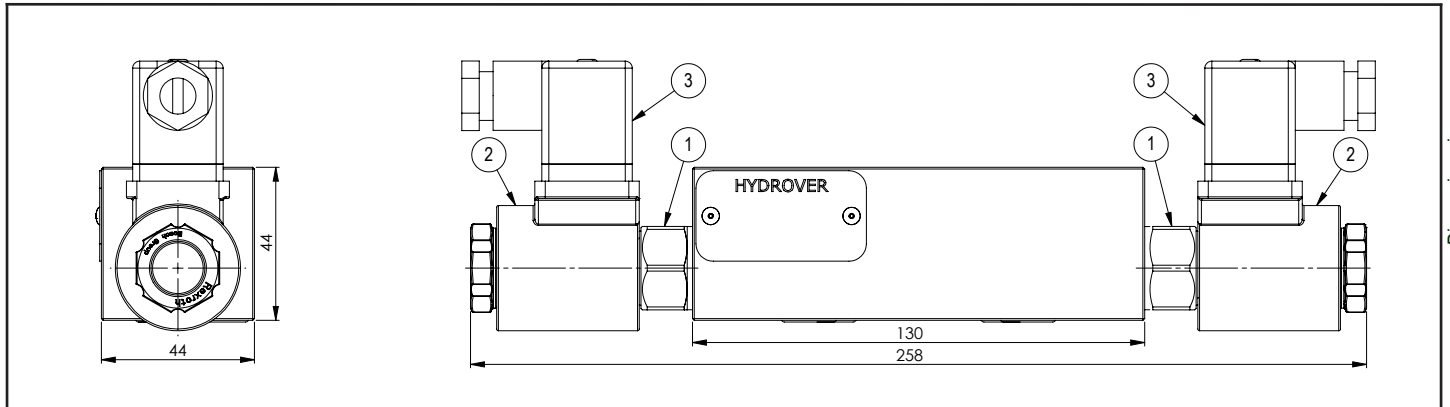


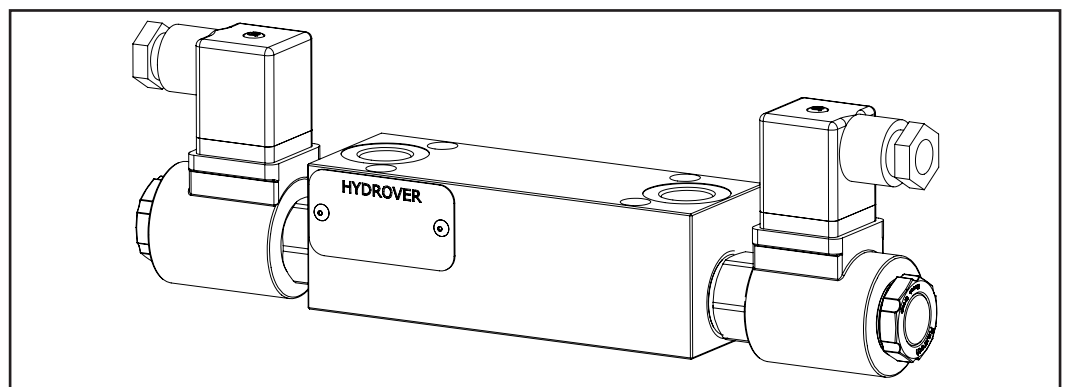
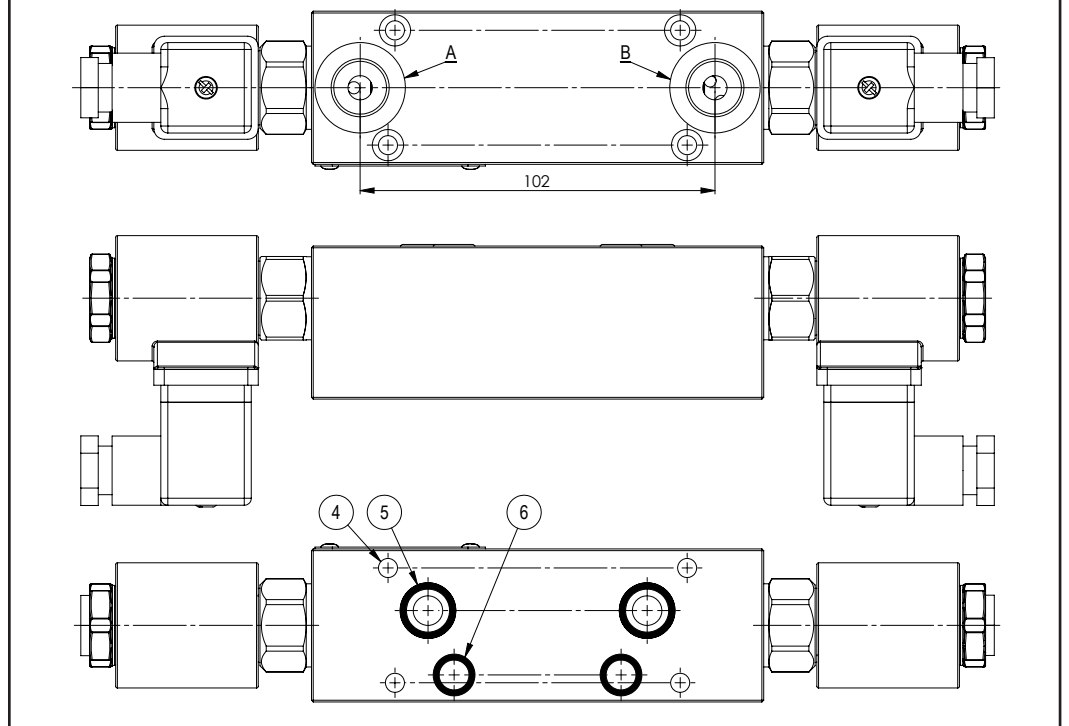
EDC flangeable element with poppet type solenoid operated directional valves between A and A1 / B and B1

**H4802**



Dimensions in mm

| Technical data    |           |
|-------------------|-----------|
| Max. pressure     | 250 bar   |
| Max. flow         | 40 lpm    |
| Weight            | 1,4 Kg    |
| Manifold material | Aluminium |
| A / B ports       | 3/8" G    |



| N° | Description  | Q.ty |
|----|--|------|
| 1  | Bosch Rexroth solenoid valve <b>VEI-16-08A-NC OD.15-X-18-Y-000000</b> (normally closed) or <b>VEI-16-08A-NA OD.15-X-18-Y-000000</b> (normally open) depicted without manual override * | 2    |
| 2  | Bosch Rexroth coil <b>D36</b> - CLASS H DIN 43650 ISO 4400 *   | 2    |
| 3  | Connector DIN 43650 ISO 4400   | 2    |
| 4  | Ø 5,5 through hole for mounting  | 4    |
| 5  | OR 2050 i. Ø 12,42 cross section 1,78  | 2    |
| 6  | OR 108 i. Ø 8,73 cross section 1,78  | 2    |

\* for complete technical information, click on the blue link or go to the components section at the end of the catalogue

Ordering code

H 4 8 0 2 A - - - - -

**Hydrover product**

**Product series**

48 series - Flangeable elements for Bosch Rexroth EDC bankable valves

**Product ID**

**Manifold material**

Aluminium

**Solenoid valves spool type \***

Normally open = NA  
 Normally closed = NC  
 Normally open double lock = 2A  
 Normally closed double lock = 2C

**Solenoid valves coil connection \***

1 = DIN 43650 ISO 4400

**Solenoid valves coil voltage \***

OB = 12V DC  
 OC = 24V DC  
 OD = 48V DC  
 OU = 110V RAC  
 AH = 230V RAC

**Solenoid valves manual override \***

E0 = Without  
 EP = Push (NA, 2A)  
 EV = Screw (NC, 2C)  
 EG = Push and twist (NA, 2A)

\* Omit if not required. For example to order the product without the coils, omit the solenoid valves coil voltage and coil connection options: H4802A-NC-E0.

