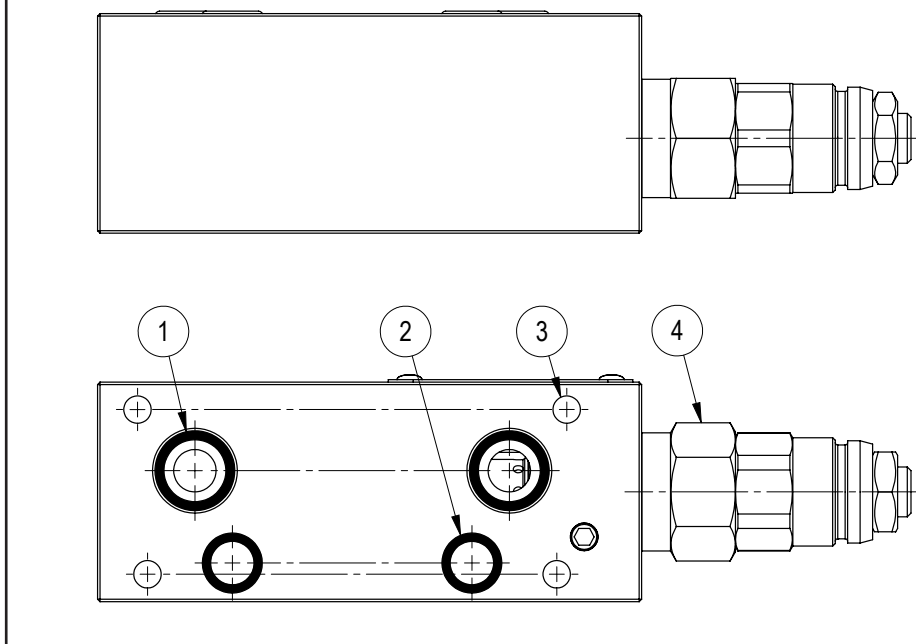
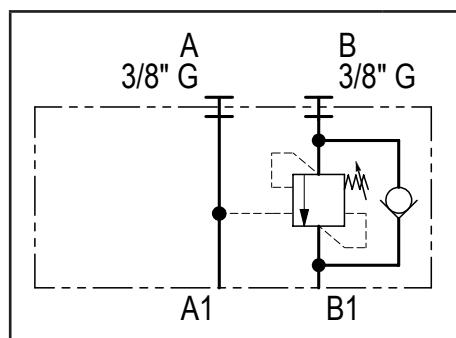
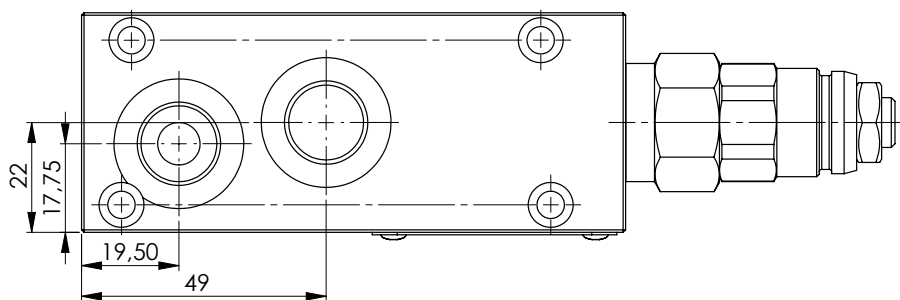
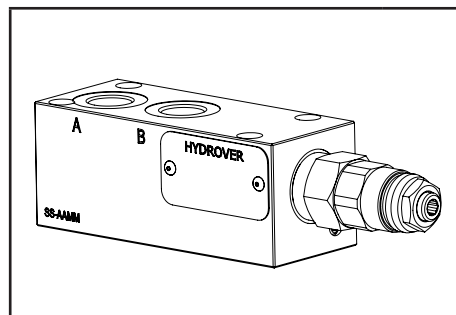


Dimensions in mm

Technical data	
Max. pressure	250 bar
Max. flow	30 lpm *
Pilot ratio	4:1
Weight	0,7 Kg
Manifold material	Aluminium
A / B ports	3/8" G



N°	Description	Q.ty
1	OR 2050 i. Ø 12,42 cross section 1,78	2
2	OR 108 i. Ø 8,73 cross section 1,78	2
3	Ø 5,5 through hole with counterbore for mounting	4
4	Bosch Rexroth counterbalance valve VBSN-08AA *	1

* for complete technical information, click on the blue link or go to the components section at the end of the catalogue

Ordering code

H	4	8	0	3	A	-	-	-
---	---	---	---	---	---	---	---	---

Hydrover product

Product series

48 series - Flangeable elements for Bosch Rexroth EDC bankable valves

Product ID

Manifold material

Aluminium

Counterbalance valve adjustment pressure range *

2 = 70-210 bar
3 = 140-350 bar

Counterbalance valve adjustment type *

S = Screw

* Omit if not required. The manifold will still be provided with the corresponding cavity.