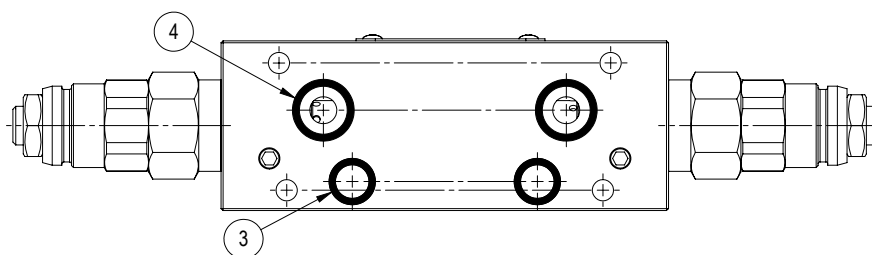
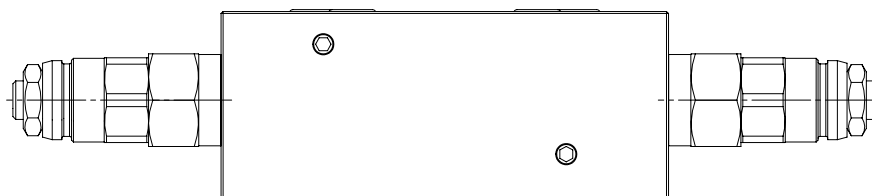
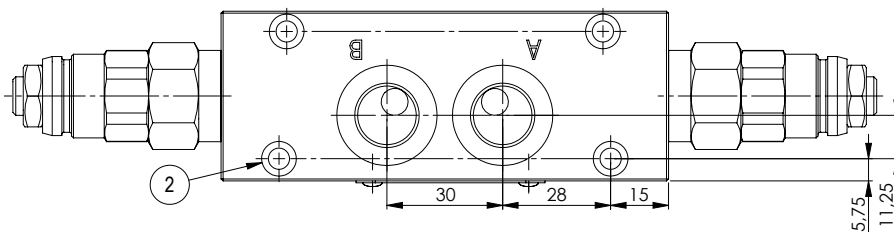
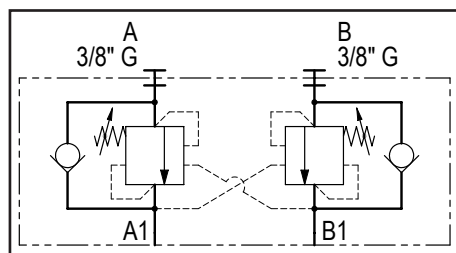


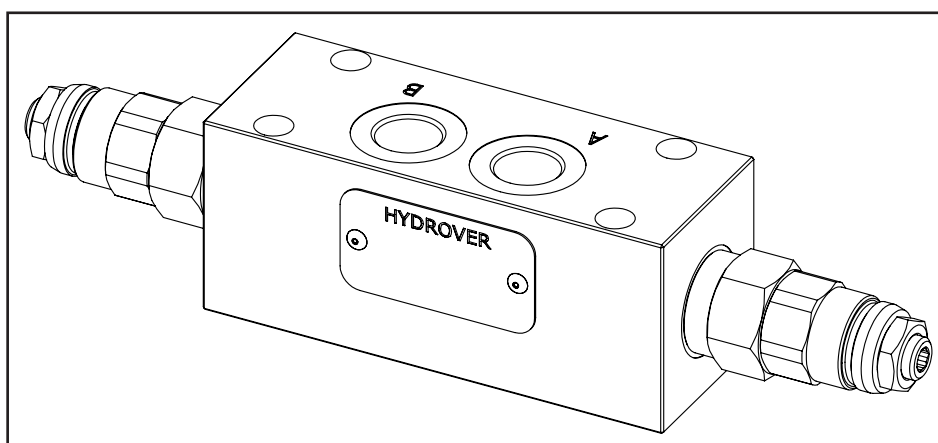
Dimensions in mm

Technical data	
Max. pressure	250 bar
Max. flow	30 lpm *
Pilot ratio	4:1
Weight	1 Kg
Manifold material	Aluminium
A / B ports	3/8" G



N°	Description	Q.ty
1	Bosch Rexroth counterbalance valve <b>VBSN-08AA</b> *	2
2	Ø 5,5 through hole with counterbore for mounting	4
3	OR 108 i. Ø 8,73 cross section 1,78	2
4	OR 2050 i. Ø 12,42 cross section 1,78	2

\* for complete technical information, click on the blue link or go to the components section at the end of the catalogue



Ordering code

H	4	8	0	7	A	-	-	-	-	-
---	---	---	---	---	---	---	---	---	---	---

**Hydrover product**

**Product series**

48 series - Flangeable elements for Bosch Rexroth EDC bankable valves

**Product ID**

**Manifold material**

Aluminium

**Counterbalance valve adjustment pressure range on B \***

2 = 100-210 bar  
3 = 200-350 bar

**Counterbalance valve adjustment type on B \***

S = Screw

**Counterbalance valve adjustment pressure range on A \***

2 = 100-210 bar  
3 = 200-350 bar

**Counterbalance valve adjustment type on A**

S = Screw

\* Omit if not required. To order the product without the counterbalance cartridge valves, omit the adjustment type and pressure range options on A e B: H4807A.  
The manifold will still be provided with the corresponding cavities.