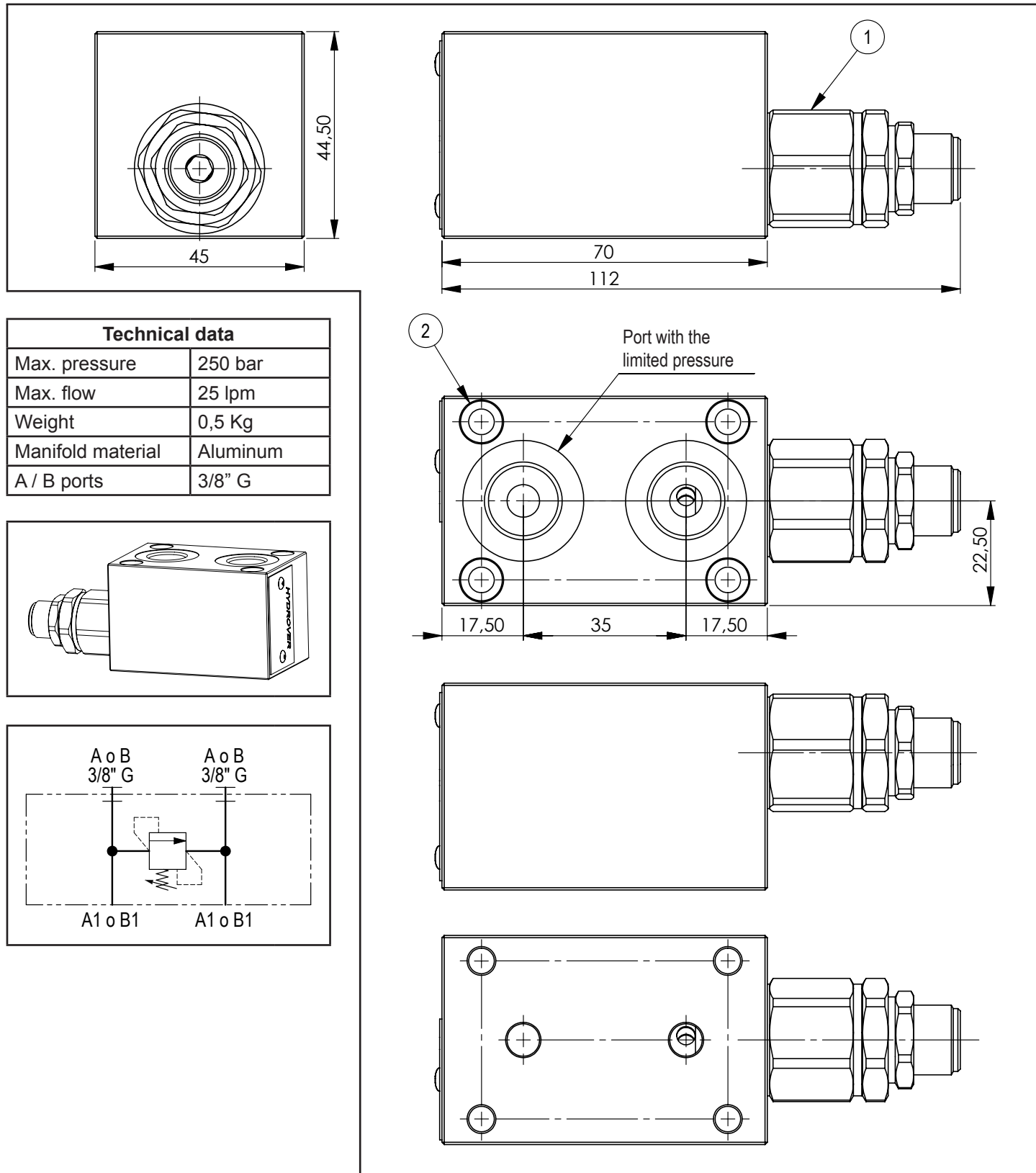
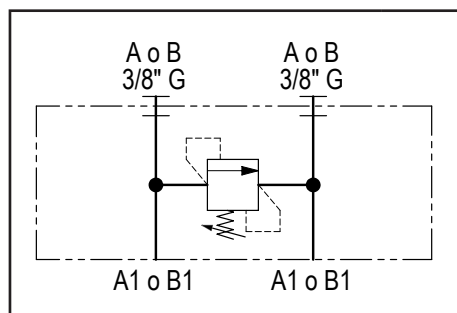
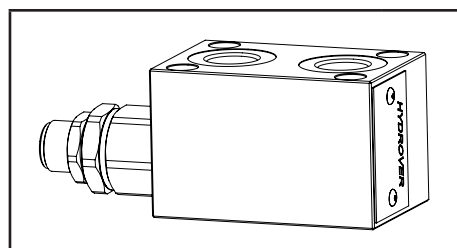


Dimensions in mm



Technical data	
Max. pressure	250 bar
Max. flow	25 lpm
Weight	0,5 Kg
Manifold material	Aluminum
A / B ports	3/8" G



N°	Description	Q.ty
1	Bosch Rexroth relief valve VMD1.025 *	1
2	Ø 5,5 through hole with counterbore for mounting	4

* for complete technical information, click on the blue link or go to the components section at the end of the catalogue

Ordering code

H	4	9	0	2	A	-	-	-
---	---	---	---	---	---	---	---	---

Hydrover product

Product series

49 series - Flangeable elements for Bosch Rexroth ED bankable valves

Product ID

Relief valve adjustment pressure range *

- 1= 25-120 bar
- 2= 40-200 bar
- 3= 200-350 bar

Relief valve adjustment type *

S = Screw

Manifold material

Aluminum

* Omit if not required. The manifold will still be provided with the corresponding cavity.