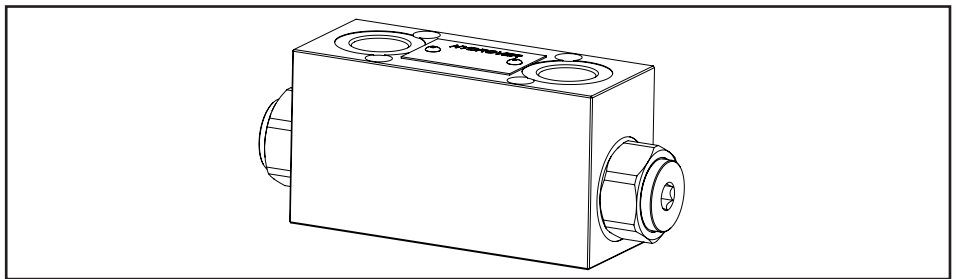
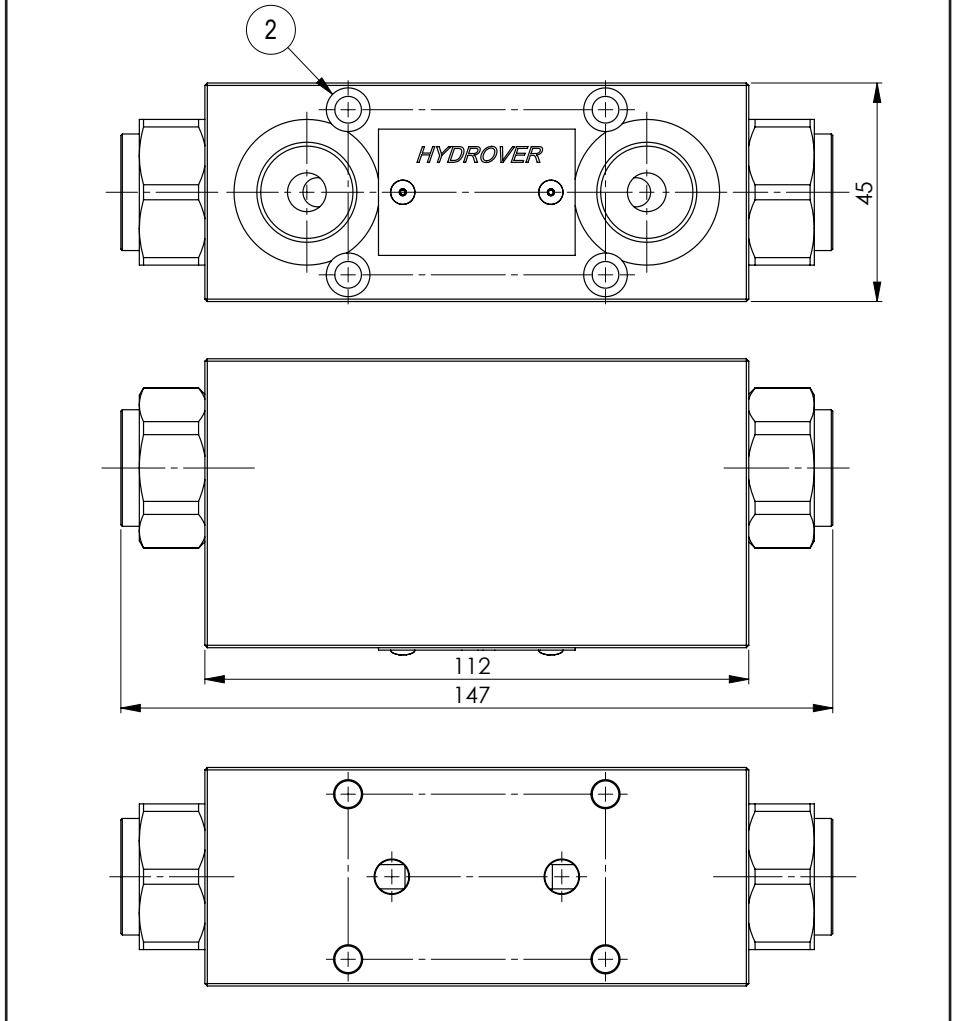
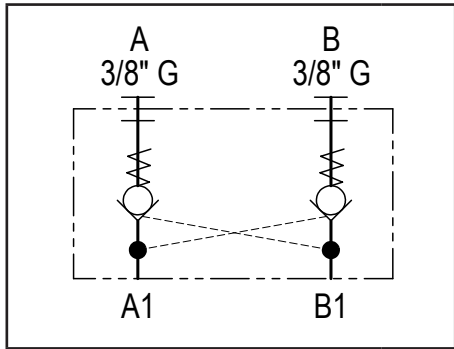


Technical data	
Max. pressure	250 bar
Max. flow	40 lpm
Weight	0,7 Kg
Manifold material	Aluminum
A / B ports	3/8" G



Dimensions in mm

N°	Description	Q.ty
1	Bosch Rexroth check valve	2
2	Ø 5,5 through hole with counterbore for mounting	4

Ordering code

H	4	9	0	3	A	-	I	A	-	O	R	-
---	---	---	---	---	---	---	---	---	---	---	---	---

Hydrover product

Product series

49 series - Flangeable elements for Bosch Rexroth ED bankable valves

Product ID

Manifold material

Aluminum

O-ring on the spool

0 = Without
1 = With

Cracking pressure

1 = 1 bar
8 = 8 bar