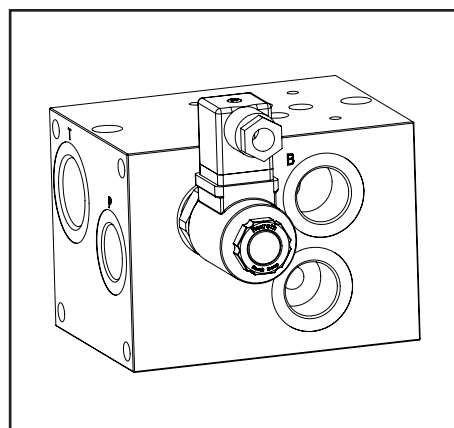
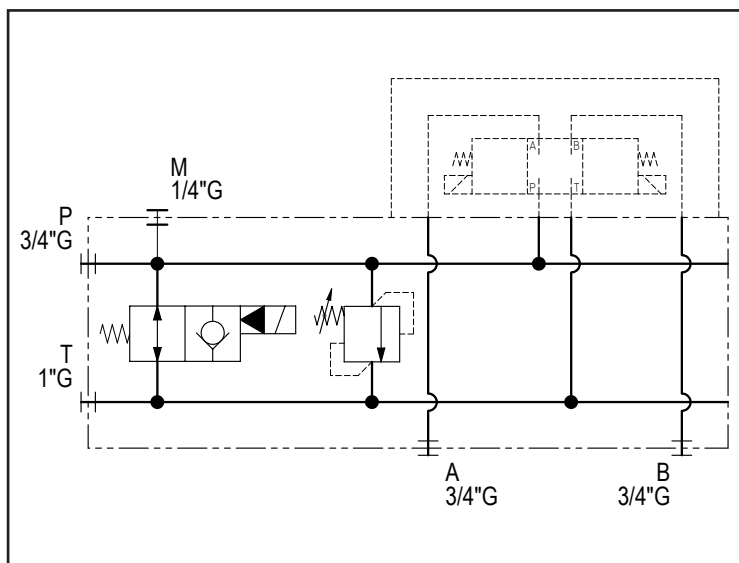


Technical data	
Max. pressure	250 bar
Max. flow	150 lpm
Weight	3,9 Kg
Manifold material	Aluminium
M port	1/4" G
P / A / B ports	3/4" G
T port	1" G



N°	Description	Q.ty
1	Connector DIN 43650 ISO 4400	1
2	Ø 11,5 through hole with 1/4" G thread (P)	1
3	Ø 15 through hole with 3/8" G thread (T)	1
4	Bosch Rexroth relief valve VSPN-10A* depicted with screw adjustment	1
5	Bosch Rexroth solenoid valve OD.15.06.89-Y-000000 depicted without manual override *	1
6	Bosch Rexroth coil D36 - CLASS H DIN 43650 ISO 4400 *	2
7	M10x15 thread for mounting	4
8	Ø 8,5 through hole for mounting with counterbore	2

* for complete technical information, click on the blue link or go to the components section at the end of the catalogue



Ordering code

H	5	1	0	1	A	-	-	-	-	-	-	-	-	-	-
---	---	---	---	---	---	---	---	---	---	---	---	---	---	---	---

Hydrover product

Product series

51 series - Modular Cetop 5 subplates for parallel circuits

Product ID

Manifold material

Aluminium

Relief valve adjustment type

Screw = S
Knob = K

Relief valve adjustment pressure range

35-140 bar = 1
70-280 bar = 2
140-420 bar = 3
35-350 bar (adj. knob) = 3

Solenoid valve coil connection *

1 = DIN 43650
ISO 4400

Solenoid valve coil voltage *

OB = 12V DC
OC = 24V DC
OD = 48V DC
OU = 110V RAC
AH = 230V RAC

Solenoid valve manual override *

E0 = Without
EP = Push
EG = Push and twist

* Omit if not required. To order the product without the relief cartridge valve, omit the pressure range and adjustment type options: eg. H5101A-E0-OC1.
The manifold will still be provided with the corresponding cavity.
To inhibit the relief cartridge valve, replace the related options with TL: eg. H5101A-TL-E0-OC1.
In the cavity it will be mounted a long plug.

Valve	Cavity	Long plug code
Solenoid valve OD.15.06.89-Y-000000	CA-12A-2N	0489A2005700000
Pressure relief valve VSPN-10A	CA-10A-2N	0489A2008500000

Note: to add stations use the intermediate / closing subplate **H5102**.