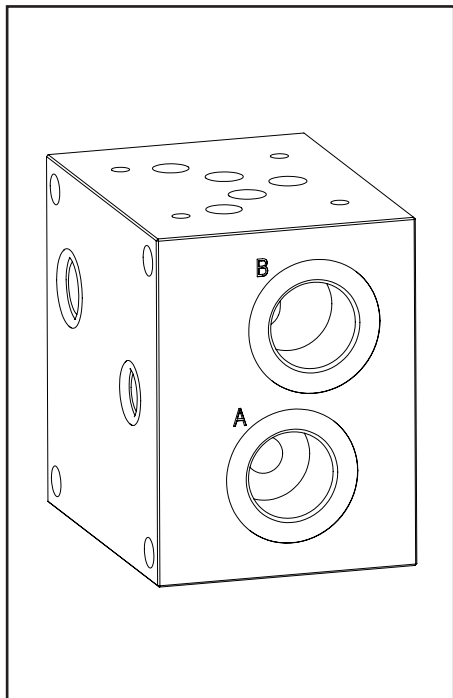
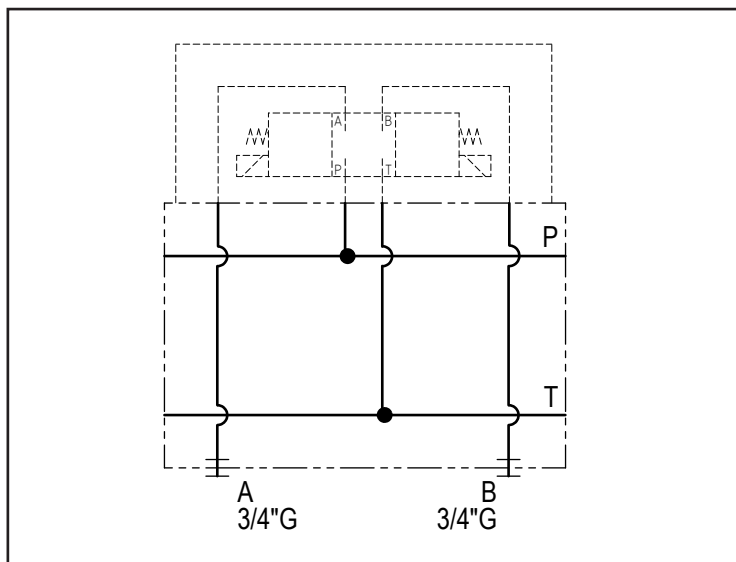


Technical data	
Max. pressure	250 bar
Weight	1,8 Kg
Manifold material	Aluminum
A / B ports	3/4" G



N°	Description	Q.ty
1	Ø 11,5 through hole with 1/4" G thread (P)	1
2	Ø 15 through hole with 3/8" G thread (T)	1
3	OR 3068 Ø i. 17,12 cross section 2,62 (T)	1
4	OR 117 Ø i. 13,10 cross section 2,62 (P)	1
5	M8x15 thread for mounting	1



**H5102**

Ordering code

H	5	1	0	2	A
---	---	---	---	---	---

**Hydrover product**

**Product series**

51 series - Modular Cetop 5 subplates for parallel circuits

**Manifold material**  
Aluminum

**Product ID**