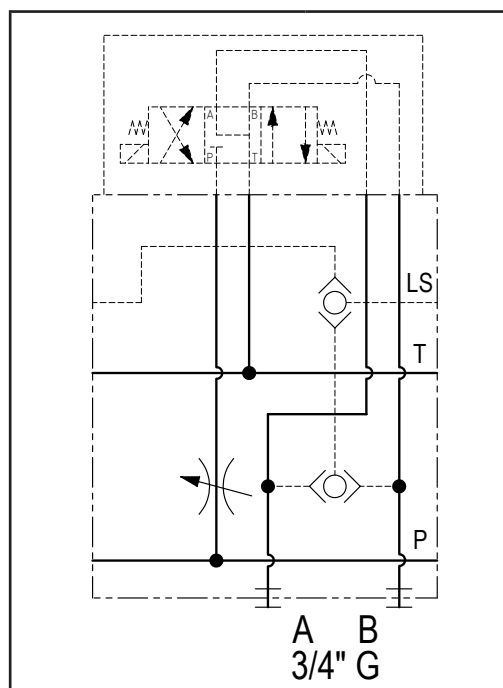
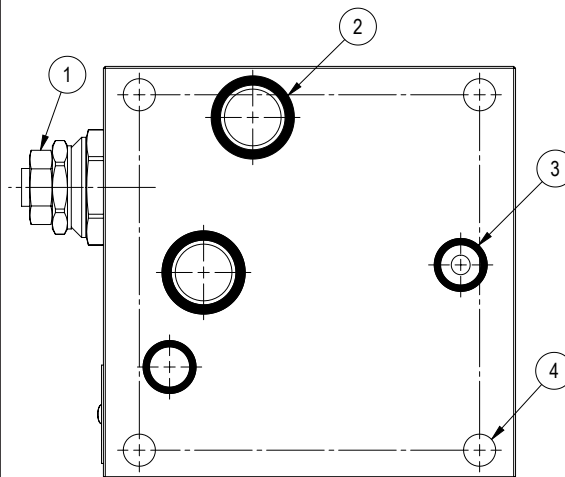
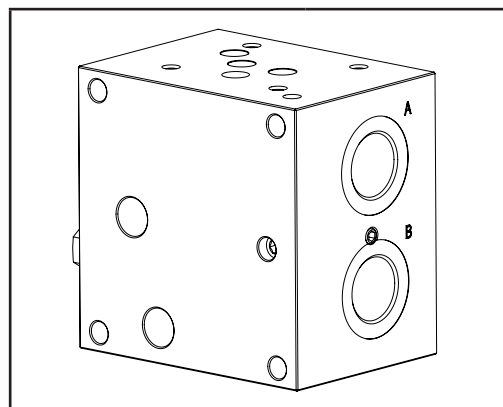
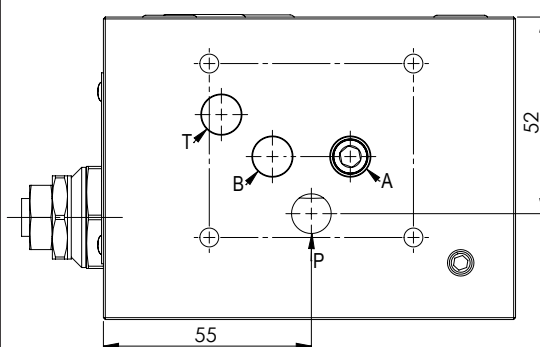


Dimensions in mm

Technical data	
Max. pressure	250 bar
Regulated max. flow	70 lpm
Weight	2,5 Kg
Manifold material	Aluminium
A / B ports	3/4" G



N°	Description	Q.ty
1	Bosch Rexroth bidirectional flow restrictor <a href="#">OD.21.01-X-36</a> * depicted with screw adjustment	1
2	OR 3068 i. Ø 17,12 cross section 2,62 (P-T)	2
3	OR 2043 i. Ø 10,82 cross section 1,78(LS-FS)	2
4	Ø 8,5 through hole for tie rod	4

\* for complete technical information, click on the blue link or go to the components section at the end of the catalogue

Ordering code

H	5	2	0	3	A	-	
---	---	---	---	---	---	---	--

**Hydrover product**

**Product series**

52 series - Load sensing modular Cetop 5 subplates for parallel circuits

**Product ID**

**Manifold material**

Aluminium

**Restrictor adjustment type \***

SQ =

Screw

KQ =

Knob

\* Omit if not required. To order the product without the flow restrictor cartridge valve, omit restrictor adjustment type option: H5203A. The manifold will still be provided with the corresponding cavity.  
 To inhibit the flow restrictor cartridge valve, replace the related option with TC: eg H5203A-TC.  
 In the cavity it will be mounted a short plug.

Valve	Cavity	Short plug code
Bidirectional flow restrictor OD.21.01-X-36	CA-10A-2N	207505-7/8UNF