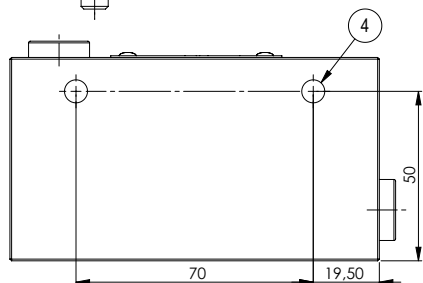
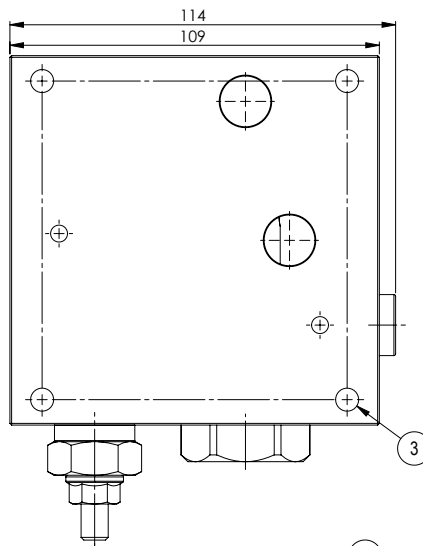
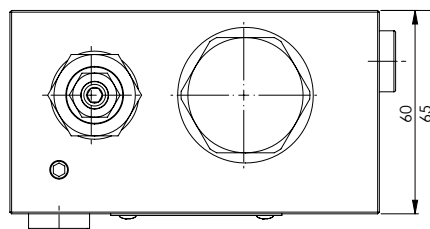
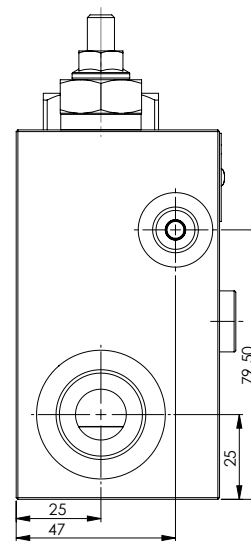
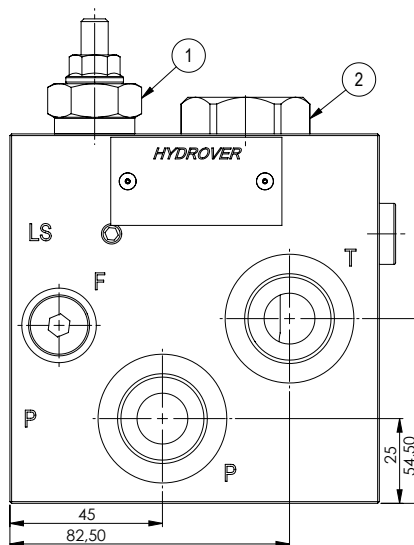
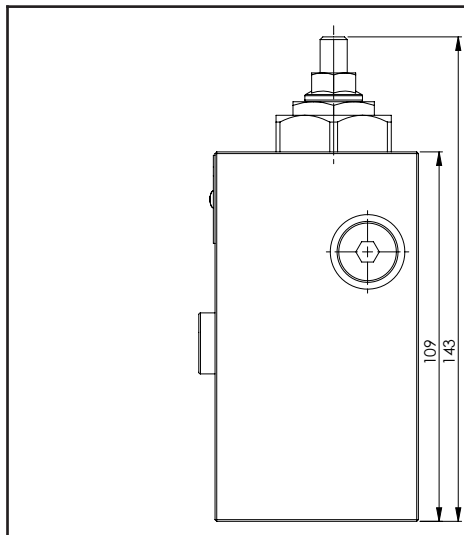
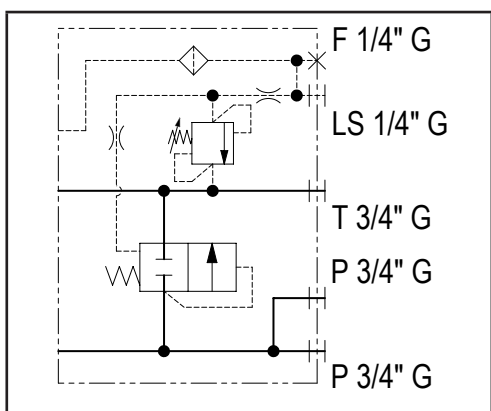
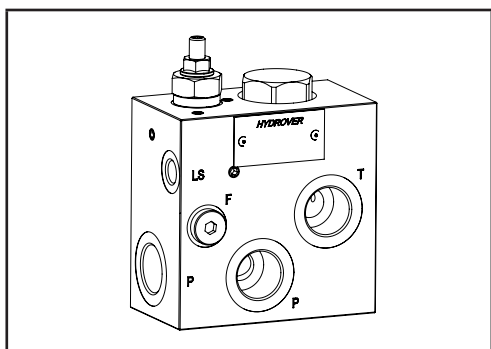


Dimensions in mm



Technical data	
Max. pressure	250 bar
Max. flow	150 lpm
Weight	2 Kg
Manifold material	Aluminium
LS port	1/4" G
P / P / T ports	3/4" G



N°	Description	Q.ty
1	Bosch Rexroth relief valve VSBN-08A *	1
2	Pressure compensator	1
3	M8x12 for tie rod	4
4	M8x15 thread for mounting	2

* for complete technical information, click on the blue link or go to the components section at the end of the catalogue

Ordering code

H	5	2	0	4	A	-	-	-
---	---	---	---	---	---	---	---	---

Hydrover product

Product series

52 series - Load sensing modular Cetop 5 subplates for parallel circuits

Product ID

Manifold material

Aluminium

Relief valve adjustment pressure range *

0 =	10-70 bar
1 =	35-140 bar
2 =	105-210 bar
3 =	175-350 bar
3 =	35-350 bar (knob reg.)

Relief valve adjustment type *

S =	Screw
K =	Knob

Compensator spring

6 =	5.5 bar (standard)
1 =	12.5 bar
2 =	19 bar

* Omit if not required. To order the product without the pressure relief cartridge valve, omit the adjustment type and pressure range options: eg H5204A6.
 The manifold will still be provided with the corresponding cavity.
 To inhibit the relief valve, replace the related options with TL: eg H5204A6TL.
 In the cavity it will be mounted a long plug.

Valve	Cavity	Long plug code
Pressure relief valve VSBN-08A	CA-08A-2N	0489A200560000