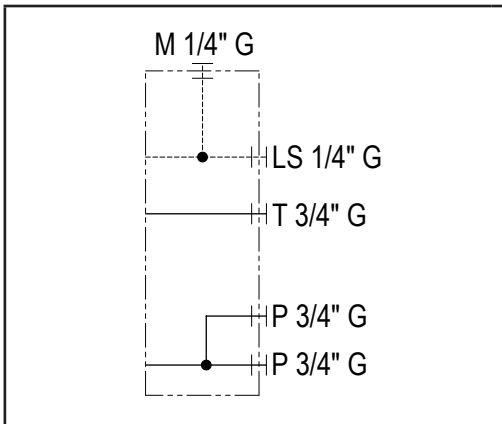
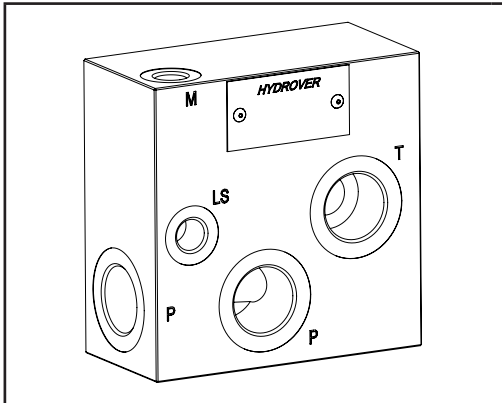
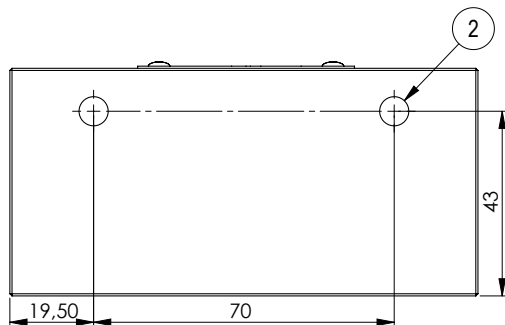
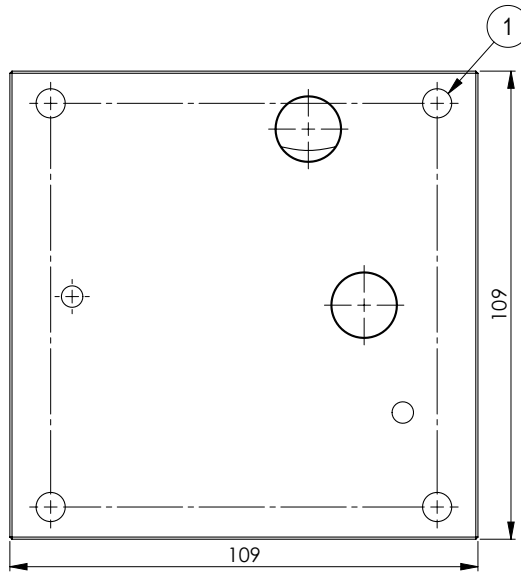
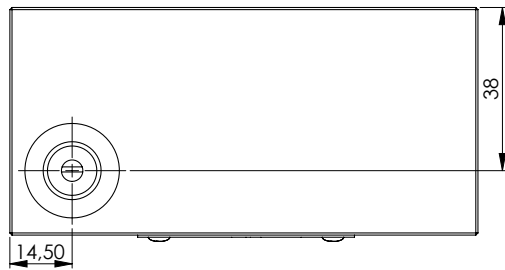


Dimensions in mm

Technical data	
Max. pressure	250 bar
Weight	1,6 Kg
Manifold material	Aluminum
LS / M ports	1/4" G
P / P / T ports	3/4" G



N°	Description	Q.ty
1	M8x12 for tie rod	4
2	M8x15 thread for mounting	2



Ordering code

H	5	2	0	5	A
---	---	---	---	---	---

Hydrover product**Product series**Serie 52 - Elementi componibili LS per valvole Cetop 5
in circuito parallelo**Manifold material**
Aluminum**Product ID**