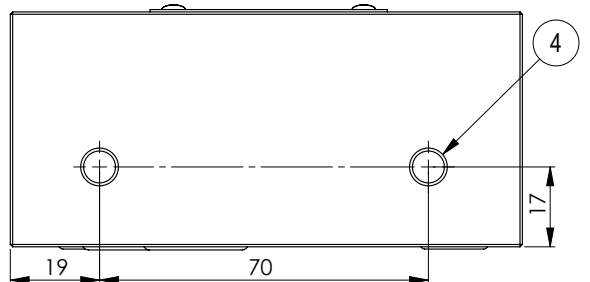
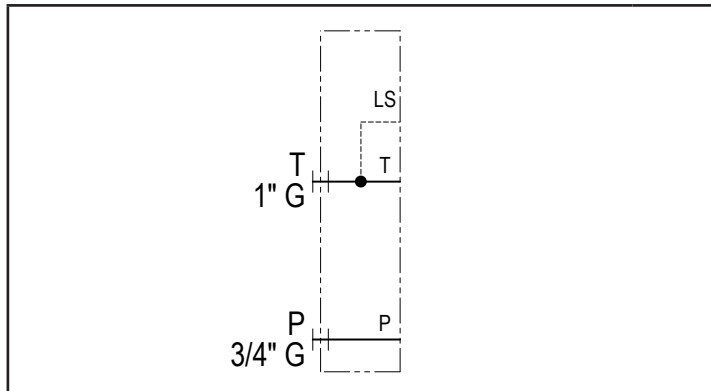
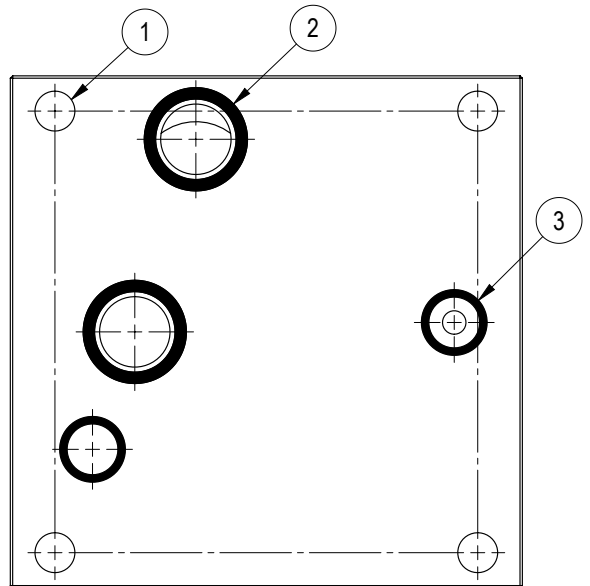
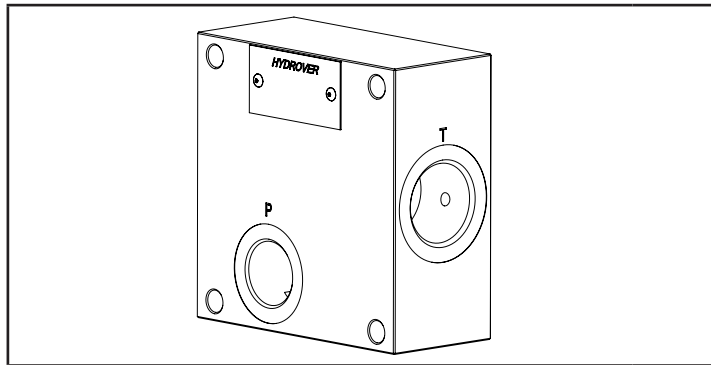
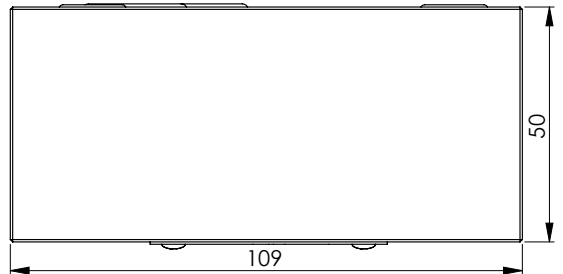


Technical data	
Max. pressure	250 bar
Weight	1,5 Kg
Manifold material	Aluminum
P port	3/4" G
T port	1" G



N°	Description	Q.ty
1	Ø 8,5 through hole for tie rod	4
2	OR 3068 i. Ø 17,12 cross section 2,62 (P-T)	2
3	OR 2043 i. Ø 10,82 cross section 1,78(LS-FS)	2
4	M8x15 thread for mounting	2

Ordering code

H	5	2	0	7	A
---	---	---	---	---	---

**Hydrover product****Product series**

52 series - Load sensing modular Cetop 5 subplates for parallel circuits

**Manifold material**  
Aluminum**Product ID**