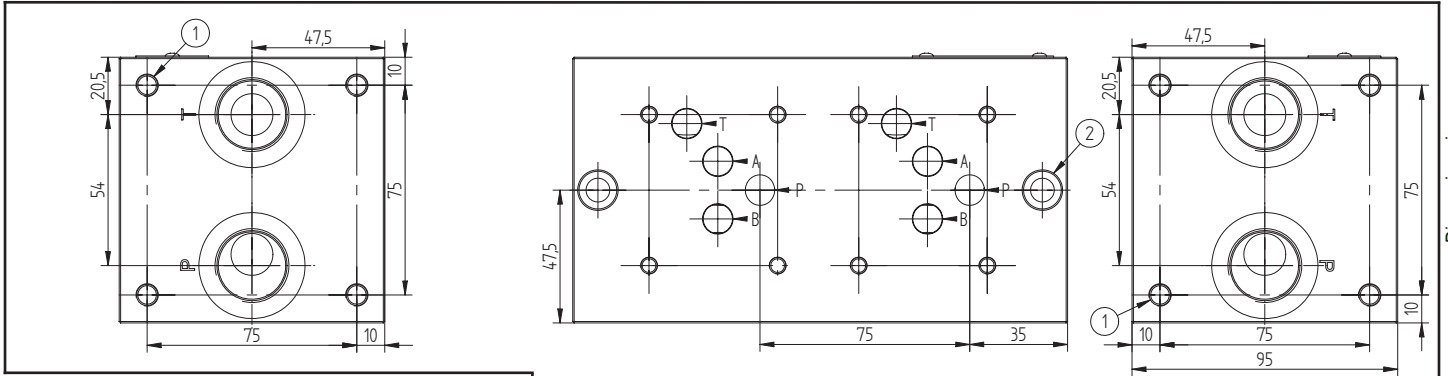


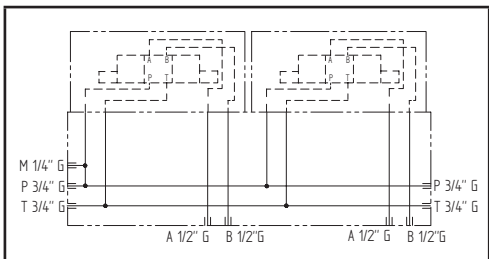
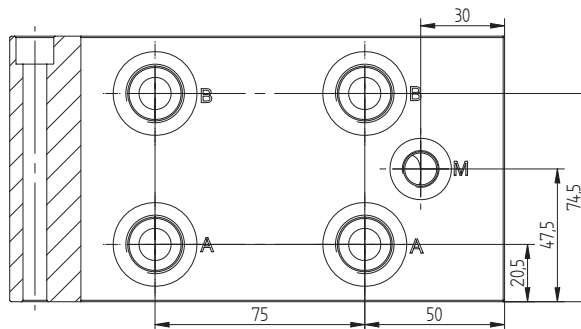
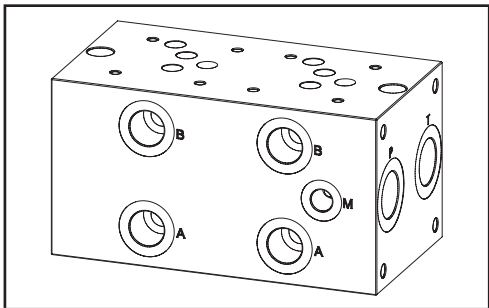
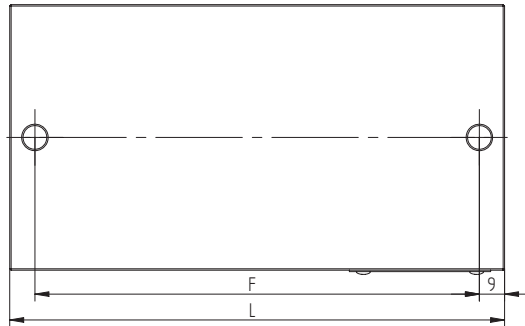
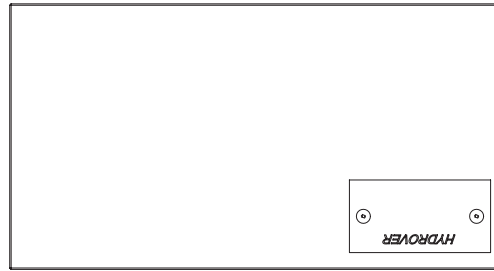
Cetop 5 subplate from 1 to 6 stations  
3/4" G crossing P-T ports / 1/2" G side A-B ports

**H5601**



Dimensions in mm

Technical data	
Press. max.	350 bar
1 station weight	6,1 Kg
2 stations weight	10,9 Kg
3 stations weight	15,6 Kg
4 stations weight	20,4 Kg
5 stations weight	25,1 Kg
6 stations weight	29,9 Kg
Manifold material	Steel
M port	1/4" G
A / B ports	1/2" G
P / T ports	3/4" G



N°	Description	Q.ty
1	M8x15 thread for mounting	8
2	Ø 8,5 through hole for mounting	2

Stat.	1	2	3	4	5	6
L	102	177	252	327	402	477
F	84	159	234	309	384	459

Ordering code

H	5	6	0	1	S	_	P
---	---	---	---	---	---	---	---

**Hydrover product**

**Product series**

56 series - Cetop 5 subplates

**Product ID**

**Number of Cetop 5 stations**

- 1P = 1 station
- 2P = 2 stations
- 3P = 3 stations
- 4P = 4 stations
- 5P = 5 stations
- 6P = 6 stations

**Manifold material**

Steel