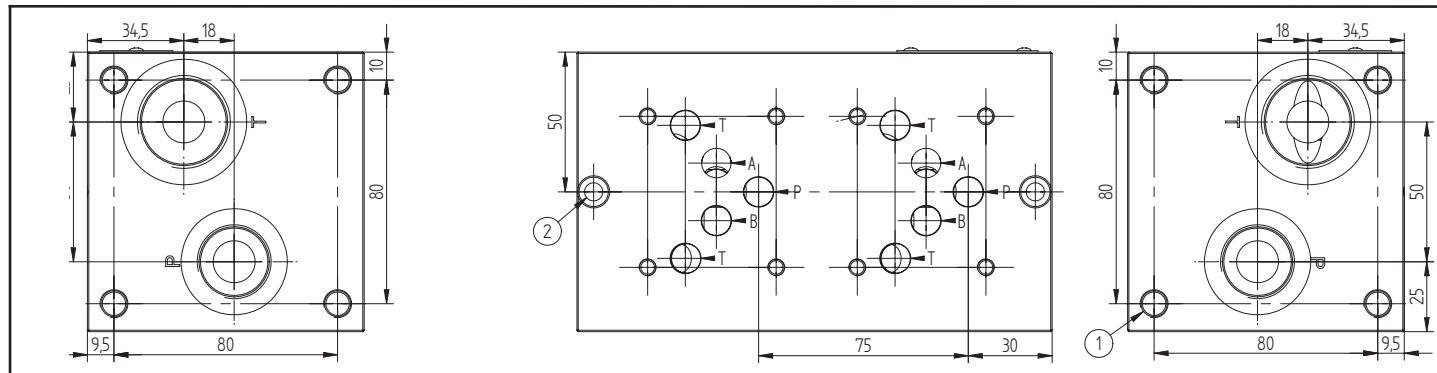


Cetop 5 subplate from 2 to 6 stations

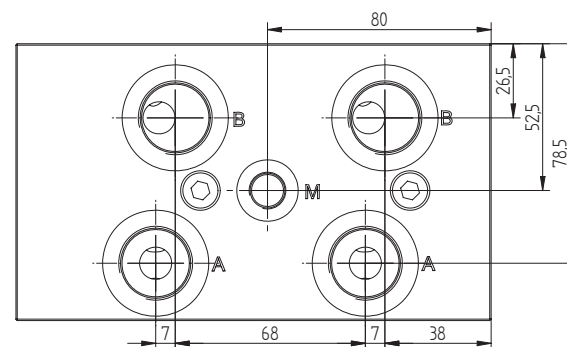
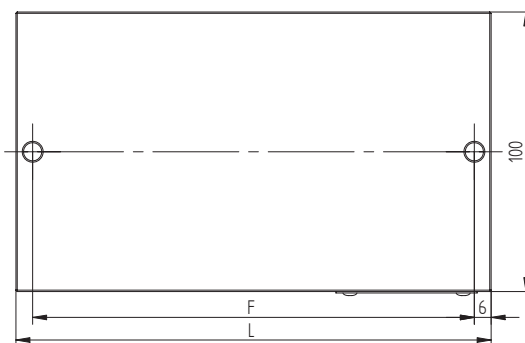
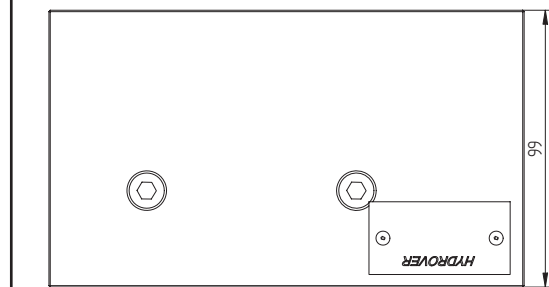
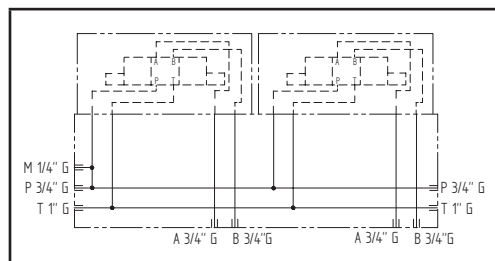
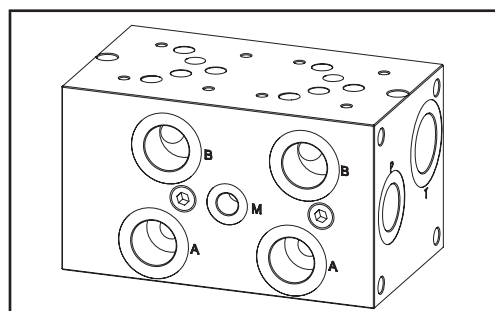
3/4" G crossing P port / 1" G crossing T port / 3/4" G side A-B ports

H5602



Dimensions in mm

Technical data	
Press. max.	350 bar
2 stations weight	11,4 Kg
3 stations weight	16,3 Kg
4 stations weight	21,2 Kg
5 stations weight	26,1 Kg
6 stations weight	31 Kg
Manifold material	Steel
M port	1/4" G
P / A / B ports	3/4" G
T port	1" G



N°	Description	Q.ty
1	M10x15 for mounting	8
2	Ø 6,5 through hole with counterbore for mounting	2

Stat.	2	3	4	5	6
L	170	245	320	395	470
F	158	233	308	383	458

H5602

Ordering code

H	5	6	0	2	S	_	P
---	---	---	---	---	---	---	---

Hydrover product

Product series

56 series - Cetop 5 subplates

Product ID

Number of Cetop 5 stations

- 2P = 2 stations
- 3P = 3 stations
- 4P = 4 stations
- 5P = 5 stations
- 6P = 6 stations

Manifold material

Steel