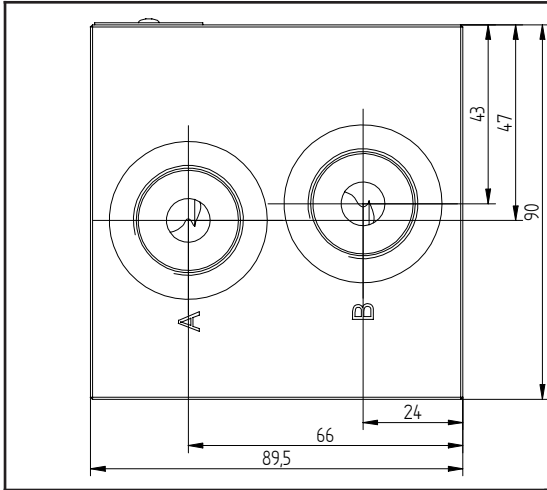
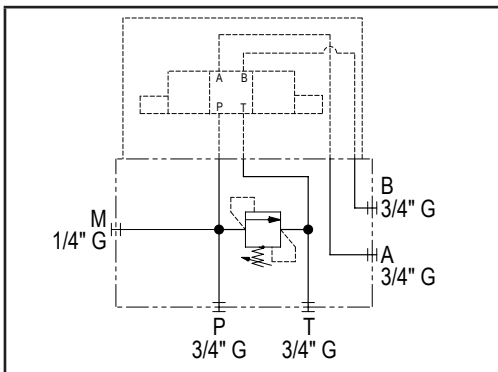
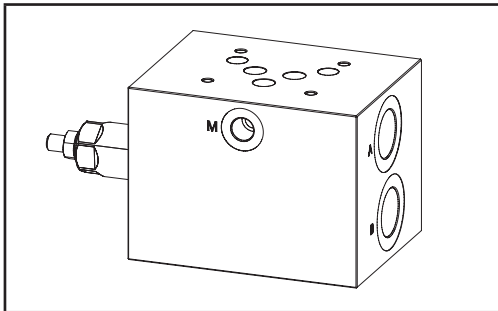


Cetop 5 single station subplate / relief valve / back P-T ports / side A-B ports **H5603**

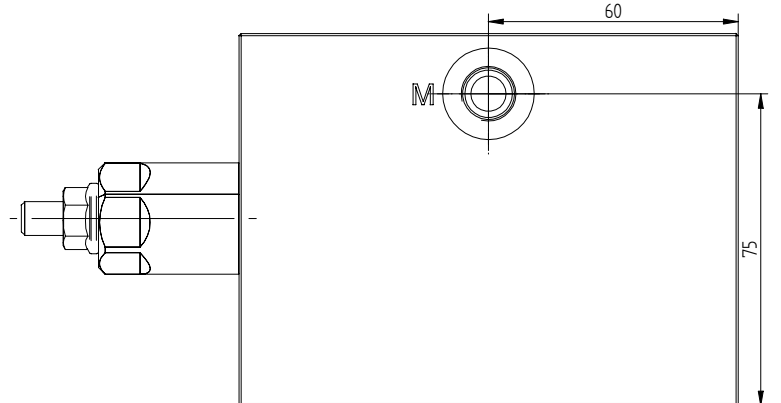
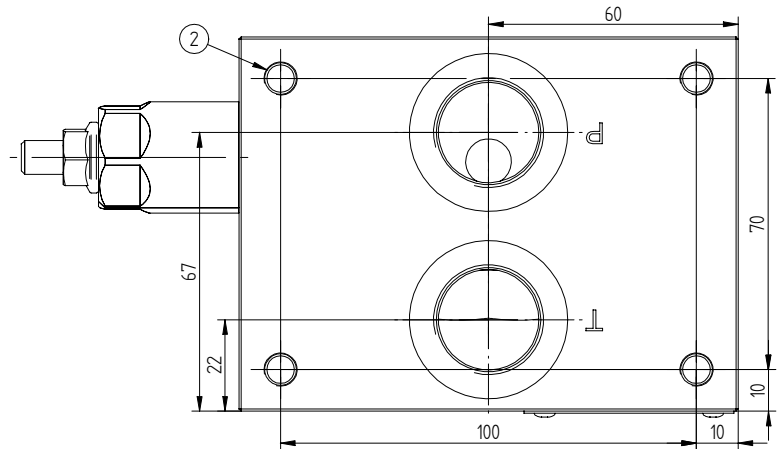
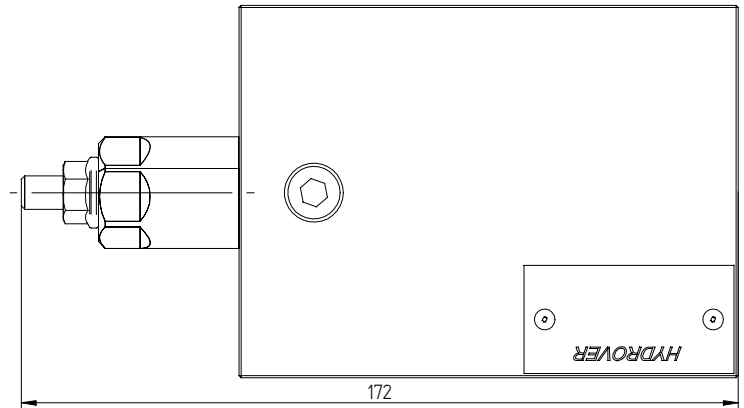
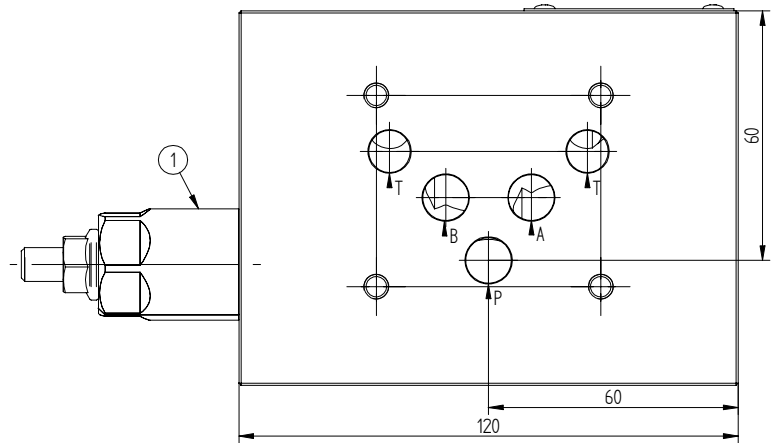
Dimensions in mm



Technical data	
Max. pressure	250 bar
Max. flow	120 lpm *
Weight	2,7 Kg
Manifold material	Aluminium
M port	1/4" G
P / T / A / B ports	3/4" G



N°	Description	Q.ty
1	Bosch Rexroth relief valve VSPN-10A depicted with screw adjustment	1
2	M8x15 thread for mounting	4



H5603

Ordering code

H	5	6	0	3	A	-	-	-
---	---	---	---	---	---	---	---	---

Hydrover product

Product series

56 series - Cetop 5 subplates

Product ID

Relief valve adjustment pressure range *

- 1 = 35-140 bar
- 2 = 70-280 bar
- 3 = 140-420 bar
- 3 = 35-350 bar (adj. knob)

Relief valve adjustment type *

- S = Screw
- K = Knob

Manifold material
Aluminium

* Omit if not required. To order the product without the relief cartridge valve, omit the pressure range and adjustment type options: H5603A.
The manifold will still be provided with the corresponding cavity.
To inhibit the relief valve, replace the related options with TL: H5203A-TL.
In the cavity it will be mounted a long plug.

Valve	Cavity	Long plug code
Pressure relief valve VSPN-10A	CA-10A-2N	0489A2008500000