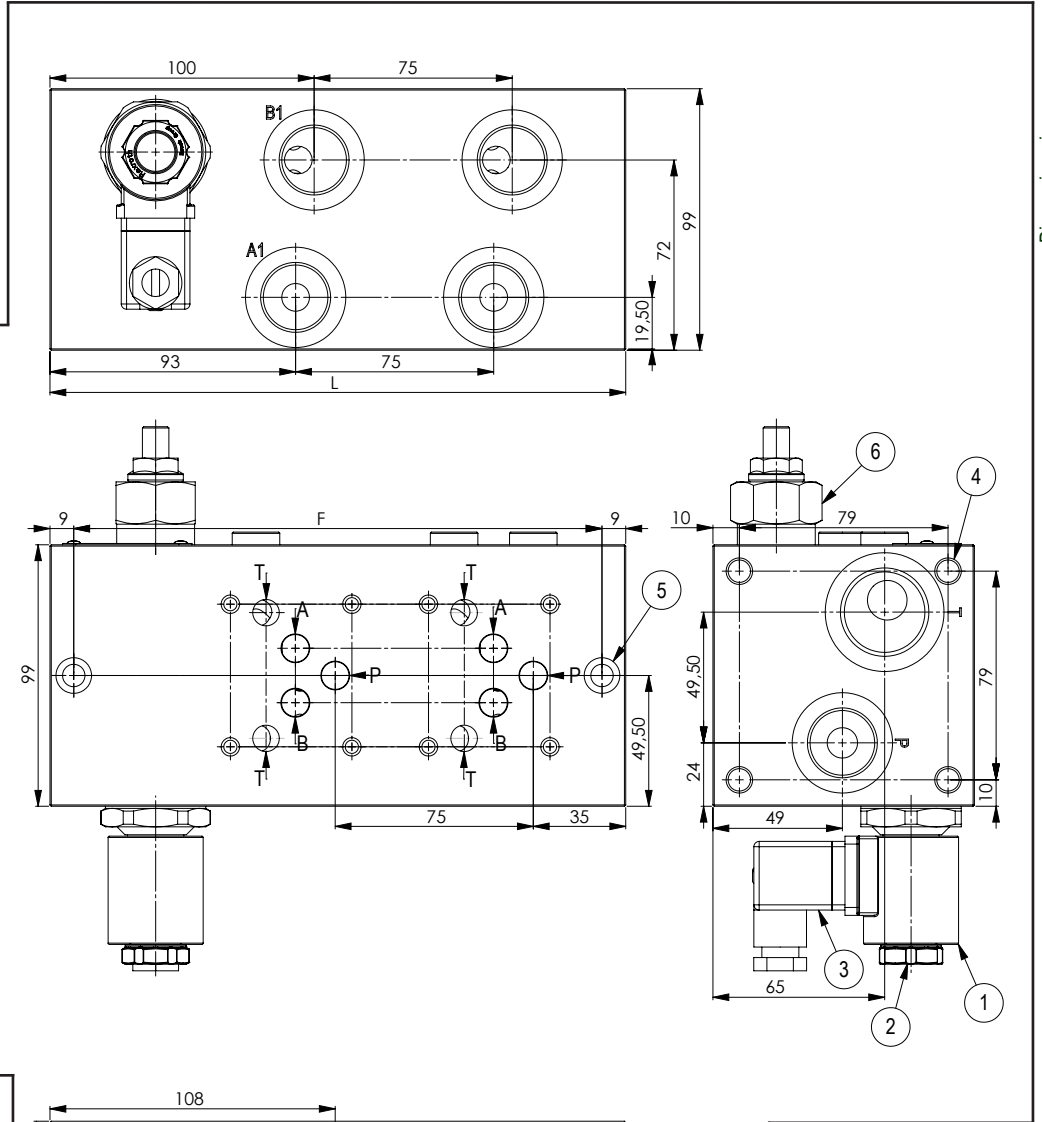


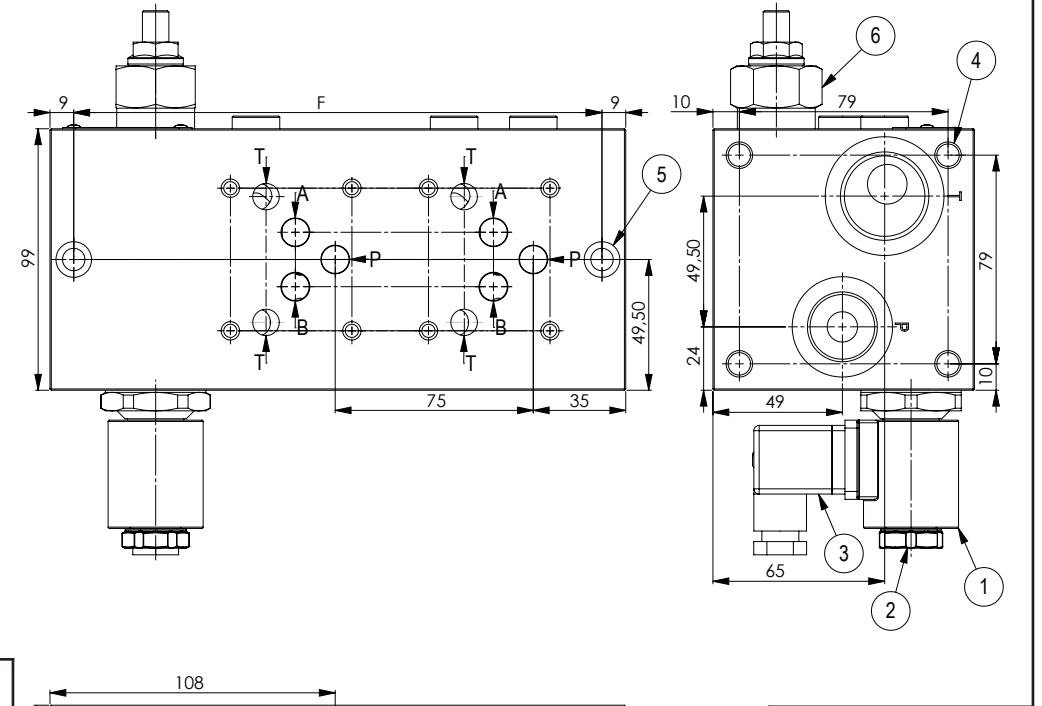
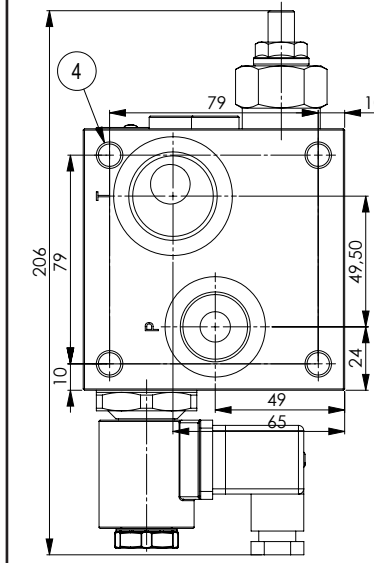
Cetop 5 subplate from 1 to 5 stations / bypass and relief valves crossing P 3/4" G and T 1" G ports / side A-B ports

**H5604**

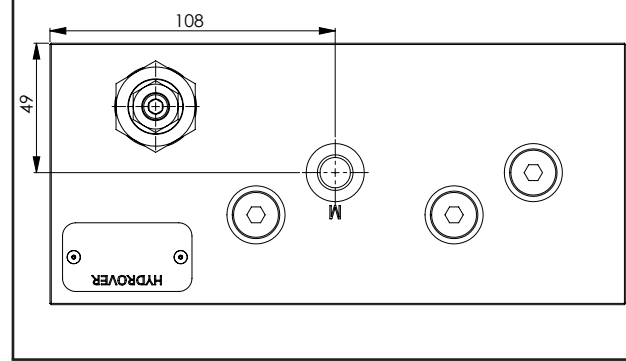
Technical data		
Max. pressure	Aluminium	Steel
	250 bar	350 bar
Max. flow	140 lpm	
M port	1/4" G	
P / A / B ports	3/4" G	
T port	1" G	



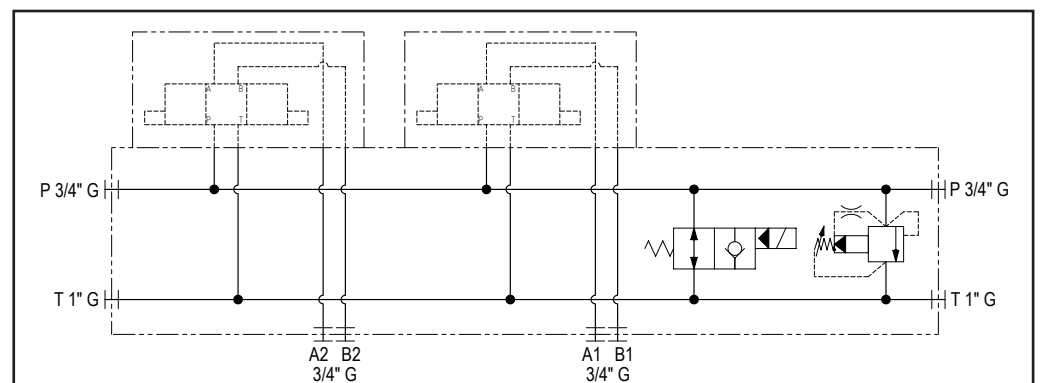
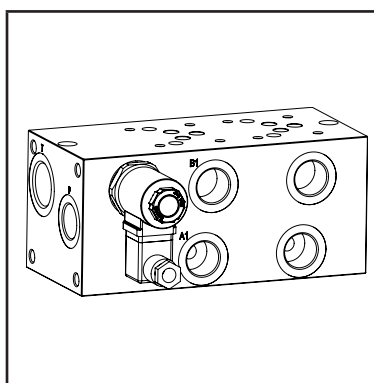
Dimensions in mm



Weight		
Stat.	Aluminium	Steel
1	3,8 Kg	9,7 Kg
2	5,1 Kg	14,9 Kg
3	7 Kg	20,1 Kg
4	8,9 Kg	25,3 Kg
5	10,8 Kg	30,5 Kg



Stat.	F	L
1	125	143
2	200	218
3	275	293
4	350	368
5	425	443



Ordering code

H	5	6	0	4	-	-	-	-	-	-	-	-	-	-	-	-	-
---	---	---	---	---	---	---	---	---	---	---	---	---	---	---	---	---	---

**Hydrover product**

**Product series**

56 series - Cetop 5 subplates

**Product ID**

**Manifold material**

Aluminium = A  
Steel = S

**Number of Cetop 5 stations**

1 station = 1P  
2 stations = 2P  
3 stations = 3P  
4 stations = 4P  
5 stations = 5P

**Relief valve adjustment type**

Screw = S  
Knob = K

**Solenoid valve coil connection \***

1 = DIN 43650  
ISO 4400

**Solenoid valve coil voltage \***

OB = 12V DC  
OC = 24V DC  
OD = 48V DC  
OU = 110V RAC  
AH = 230V RAC

**Solenoid valve manual override \***

E0 = Without  
EP = Push  
EG = Push and twist

**Relief valve adjustment pressure range \***

0 = 3-70 bar  
1 = 7-105 bar  
2 = 10-210 bar  
3 = 35-420 bar

\* Omit if not required. For example, to order the product without the relief cartridge valve, omit the pressure range and adjustment type options: H5604S3P-E0-OC1. The manifold will still be provided with the corresponding cavity. To inhibit the solenoid valve, replace the related options with TL: eg. H5604S3P-S2-TL. In the cavity it will be mounted a long plug.

Valve	Cavity	Long plug code
Bosch Rexroth solenoid valve VEI-16-021-NA OD.15.06.21-Y-000000	021-E	R-800-015
Pressure relief valve VSP-150	065	Contact Hydrover

N°	Description	Q.ty
1	Bosch Rexroth coil <b>S8-356</b> - CLASS H DIN 43650 ISO 4400 *	1
2	Bosch Rexroth solenoid valve <b>VEI-16-021-NA OD.15.06.21-Y-000000</b> depicted without manual override *	1
3	Connector DIN 43650 ISO 4400	1
4	M10x15 for mounting	8
5	Ø 8,5 through hole for mounting with counterbore	2
6	Bosch Rexroth relief valve <b>VSP-150*</b> depicted with screw adjustment	1