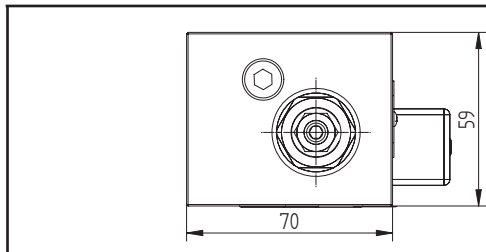
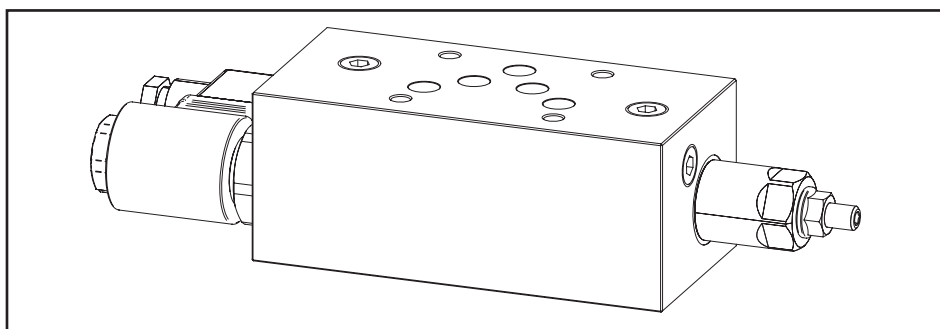
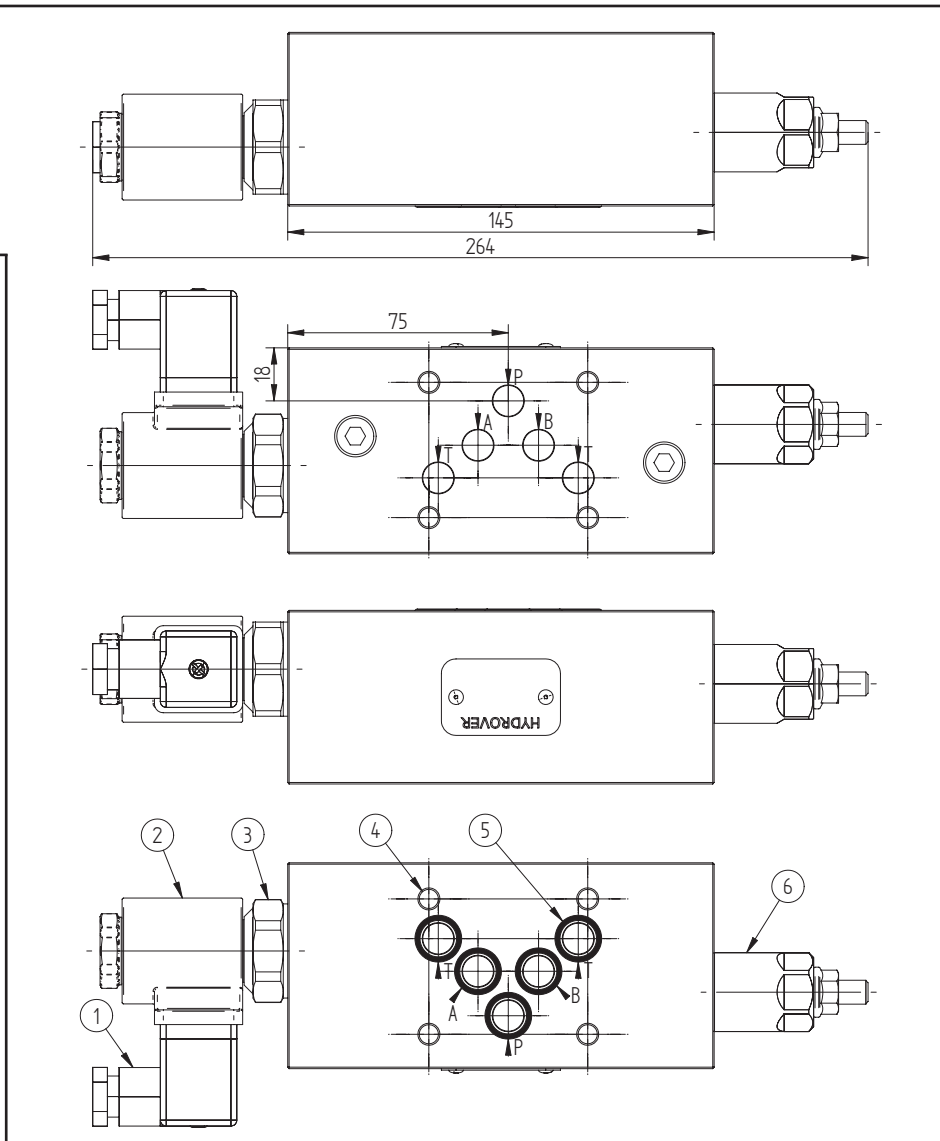
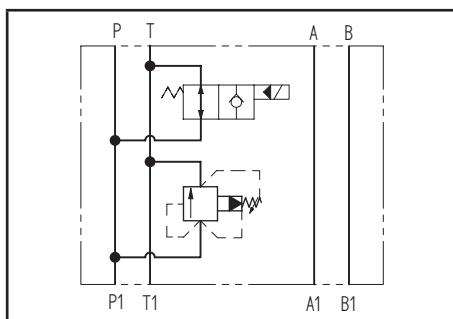


Dimensions in mm



Technical data	
Max. pressure	250 bar
Max. flow	70 lpm
Weight	2,1 Kg
Manifold material	Aluminium



N°	Description	Q.ty
1	Connector DIN 43650 ISO 4400	1
2	Bosch Rexroth coil D36 - CLASS H DIN 43650 ISO 4400 *	1
3	Bosch Rexroth solenoid valve OD.15.06.17-Y-000000 depicted without manual override *	1
4	Ø 6,5 through hole for mounting	4
5	OR 2050 i. Ø 12,42 cross section 1,78	5
6	Bosch Rexroth relief valve VSPN-10A * depicted with screw adjustment	1

* for complete technical information, click on the blue link or go to the components section at the end of the catalogue

Ordering code

H	5	9	0	4	A	-	-	-	-	-	-	-	-	-	-
---	---	---	---	---	---	---	---	---	---	---	---	---	---	---	---

Hydrover product

Product series

59 series - Cetop 5 modular valves

Product ID

Manifold material

Aluminium

Relief valve adjustment type *

Screw = S
Knob = K

Relief valve adjustment pressure range *

35-140 bar = 1
70-280 bar = 2
140-420 bar = 3
35-350 bar (adj. knob) = 3

Solenoid valve coil connection *

1 = DIN 43650
ISO 4400

Solenoid valve coil voltage *

OB = 12V DC
OC = 24V DC
OD = 48V DC
OU = 110V RAC
AH = 230V RAC

Solenoid valve manual override *

E0 = Without
EP = Push
EG = Push and twist

* Omit if not required. To order the product without the relief cartridge valve, omit the pressure range and adjustment type options: eg. H5904A-E0-OC1.
The manifold will still be provided with the corresponding cavity.
To inhibit the relief cartridge valve, replace the related options with TL: eg. H5904A-TL-E0-OC1.
In the cavity it will be mounted a long plug.

Valve	Cavity	Long plug code
Pressure relief valve VSPN-10A	CA-10A-2N	0489A2008500000