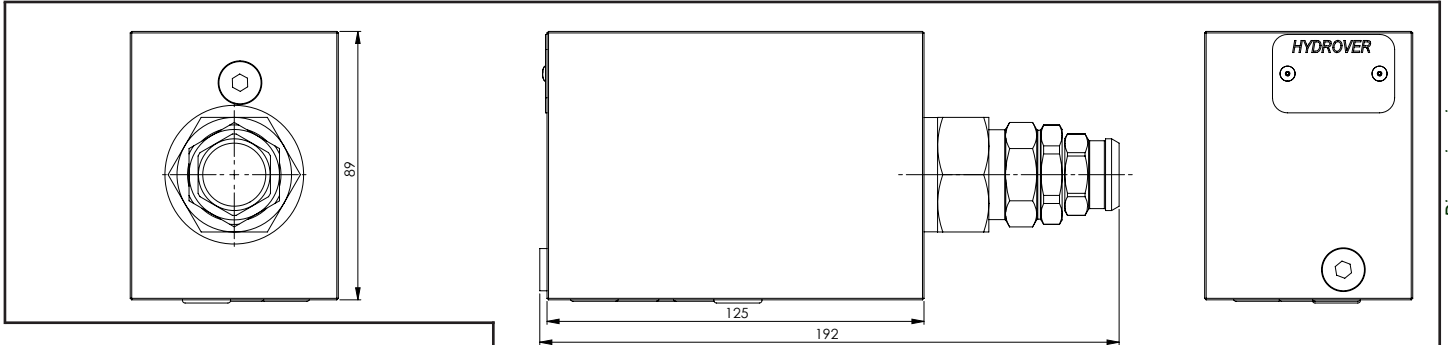
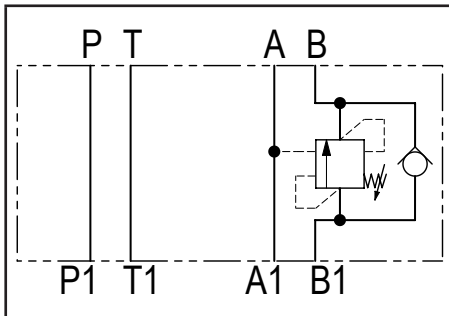


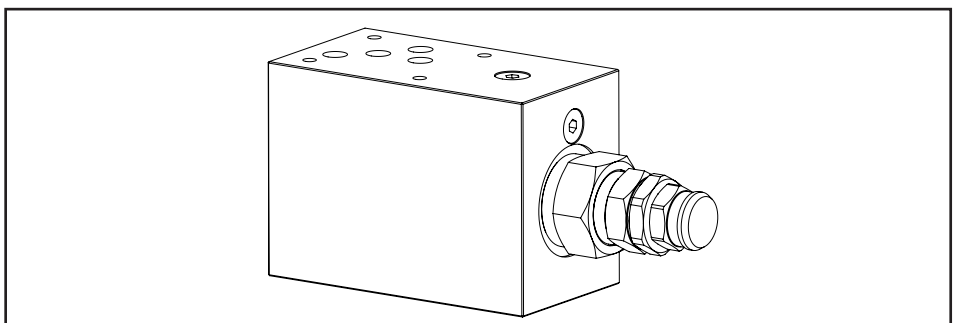
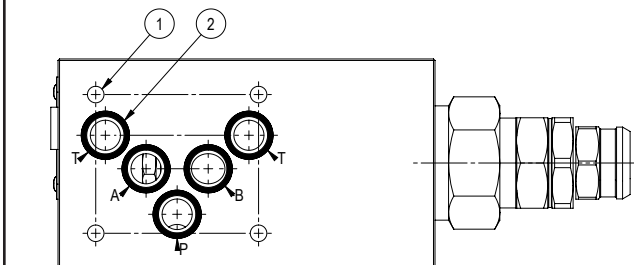
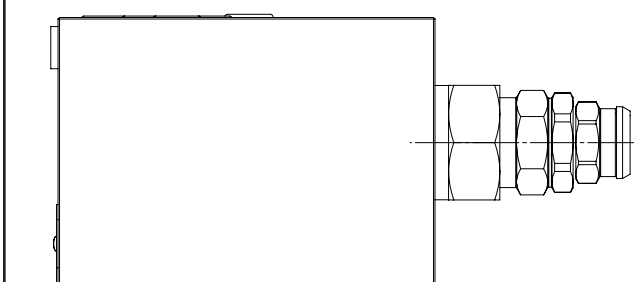
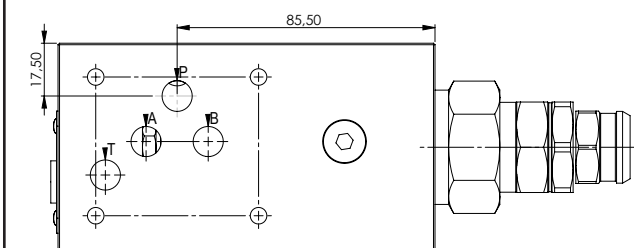
Dimensions in mm



Technical data	
Max. pressure	350 bar
Max. flow	130 lpm *
Pilot ratio	4:1
Weight	6 Kg
Manifold material	Steel



N°	Description	Q.ty
1	Ø 6,5 through hole for mounting	4
2	OR 2050 i. Ø 12,42 cross section 1,78	5
3	Bosch Rexroth counterbalance valve VBSO-SEC-33	1



Ordering code

H	5	9	0	6	S	-	-	-
---	---	---	---	---	---	---	---	---

Hydrover product

Product series

59 series - Cetop 5 modular valves

Product ID

Manifold material

Steel

**Counterbalance valve
adjustment pressure range ***

3 =

100-350 bar

**Counterbalance valve
adjustment type ***

S =

Screw

* Omit if not required. To order the product without the counterbalance cartridge valve, omit the adjustment type and pressure range options: H5906S.
The manifold will still be provided with the corresponding cavity.