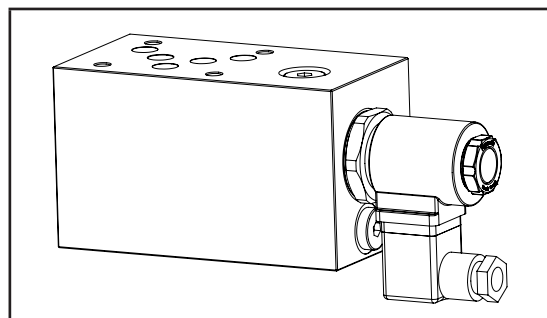


Dimensions in mm

Technical data

Max. pressure	250 bar
Max. flow	130 lpm
Weight	2,4 Kg
Manifold material	Aluminium



N°	Description	Q.ty
1	Bosch Rexroth solenoid valve VEI-16-021-NC OD.15-X-21-Y-000000 * (normally closed) or VEI-16-021-NA OD.15-X-21-Y-000000 * (normally open)	1
2	Bosch Rexroth coil D36 - CLASS H DIN 43650 ISO 4400 *	1
3	Connector DIN 43650 ISO 4400	1
4	Ø 6,5 through hole for mounting	4
5	OR 2050 i. Ø 12,42 cross section 1,78	5

* for complete technical information, click on the blue link or go to the components section at the end of the catalogue

Ordering code

H 5 9 0 9 A - - - - -

Hydrover product

Product series

59 series - Cetop 5 modular valves

Product ID

Manifold material

Aluminium

Solenoid valve spool type *

- Normally open = NA
- Normally closed = NC
- Normally open double lock = 2A
- Normally closed double lock = 2C

Solenoid valve coil connection *

1 = DIN 43650 ISO 4400

Solenoid valve coil voltage *

- OB = 12V DC
- OC = 24V DC
- OD = 48V DC
- OU = 110V RAC
- AH = 230V RAC

Solenoid valve manual override *

- E0 = Without
- EP = Push (NA, 2A)
- EV = Screw (NC, 2C)
- EG = Push and twist (NA, 2A)

* Omit if not required. For example, to order the product without coil, omit the solenoid valve coil connection and coil voltage options: H5909A-NC-E0.

