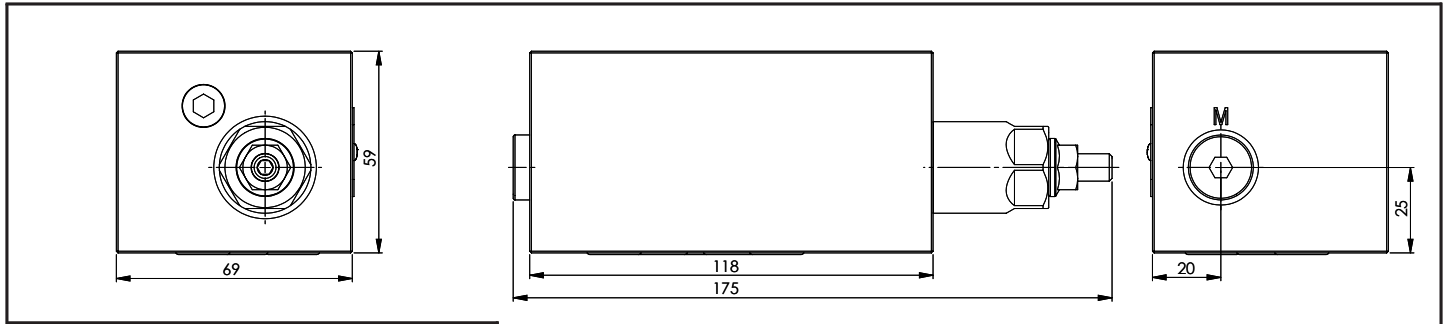
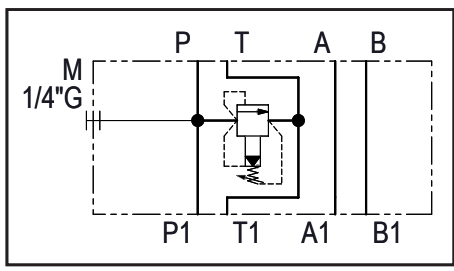


Dimensions in mm

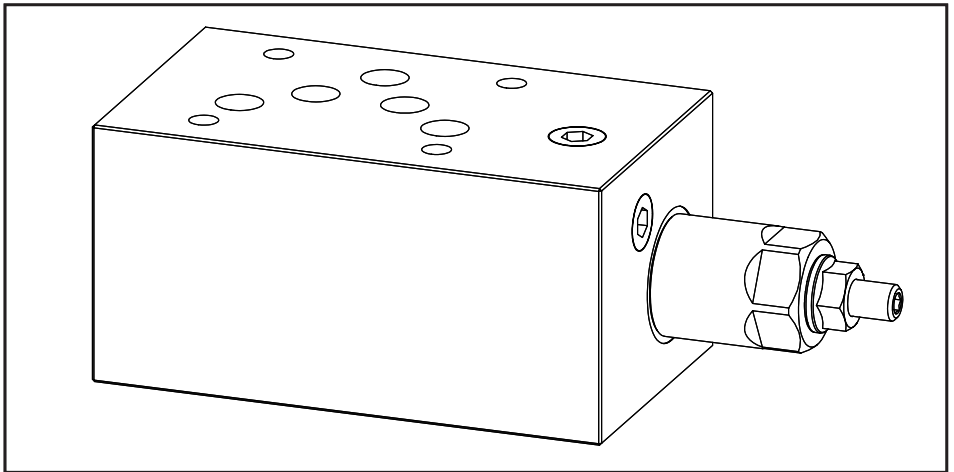
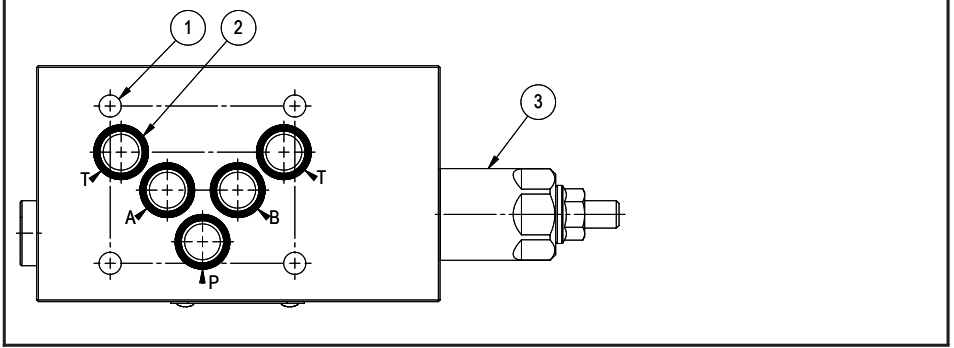
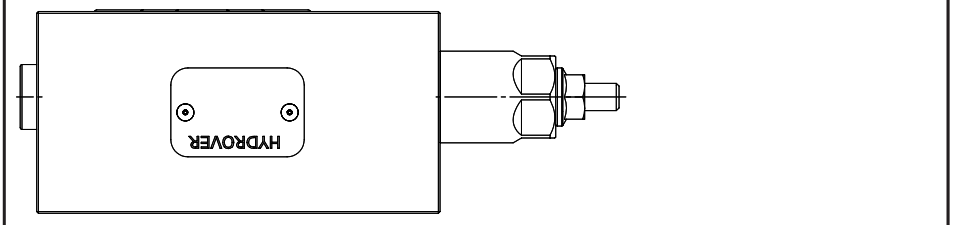
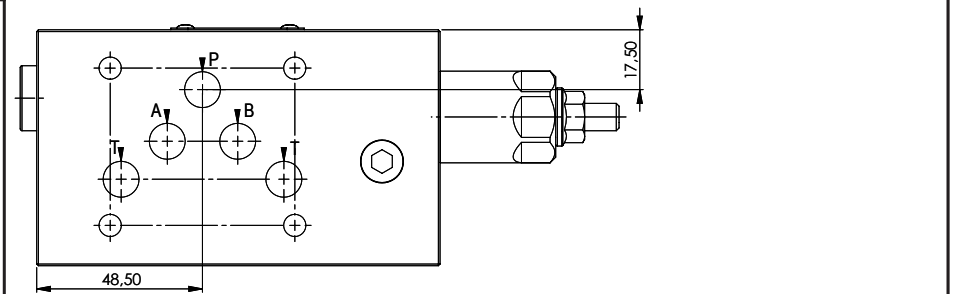


Technical data	
Max. pressure	250 bar
Max. flow	120 lpm *
Weight	1,45 Kg
Manifold material	Aluminium
M port	1/4" G



N°	Description	Q.ty
1	Ø 6,5 through hole for mounting	4
2	OR 2050 i. Ø 12,42 cross section 1,78	5
3	Bosch Rexroth relief valve <b>VSPN-10A*</b> depicted with screw adjustment	1

\* for complete technical information, click on the blue link or go to the components section at the end of the catalogue



Ordering code

H	5	9	1	3	A	-	-	-
---	---	---	---	---	---	---	---	---

**Hydrover product**

**Product series**

59 series - Cetop 5 modular valves

**Product ID**

**Manifold material**

Aluminium

**Relief valve  
adjustment pressure range \***

- 1 = 35-140 bar
- 2 = 70-280 bar
- 3 = 140-420 bar
- 3 = 35-350 bar (adj. knob)

**Relief valve  
adjustment type \***

- S = Screw
- K = Knob

\* Omit if not required. To order the product without the pressure relief cartridge valve, omit the pressure range and the adjustment type options: H5913A.  
The manifold will still be provided with the corresponding cavity.