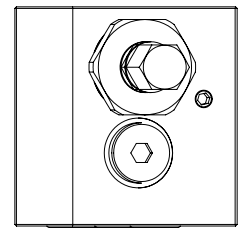
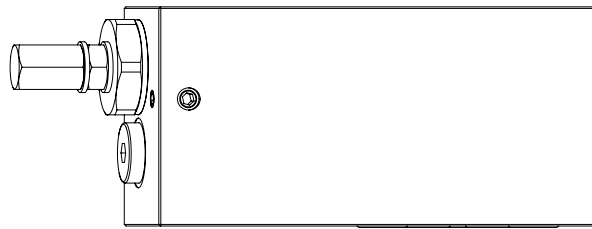
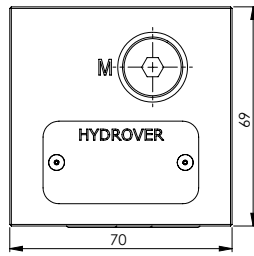
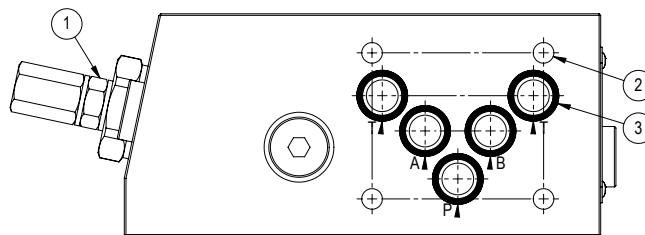
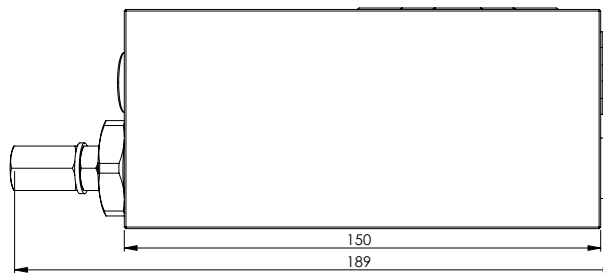
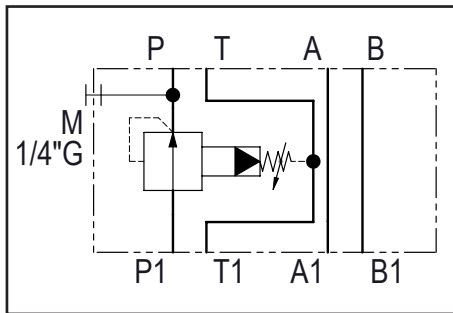
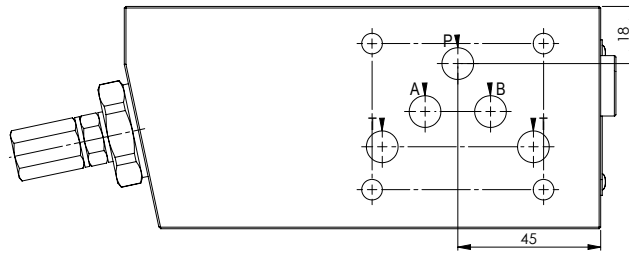


Cetop 5 modular pressure reducing valve on P **H5915**

Dimensions in mm

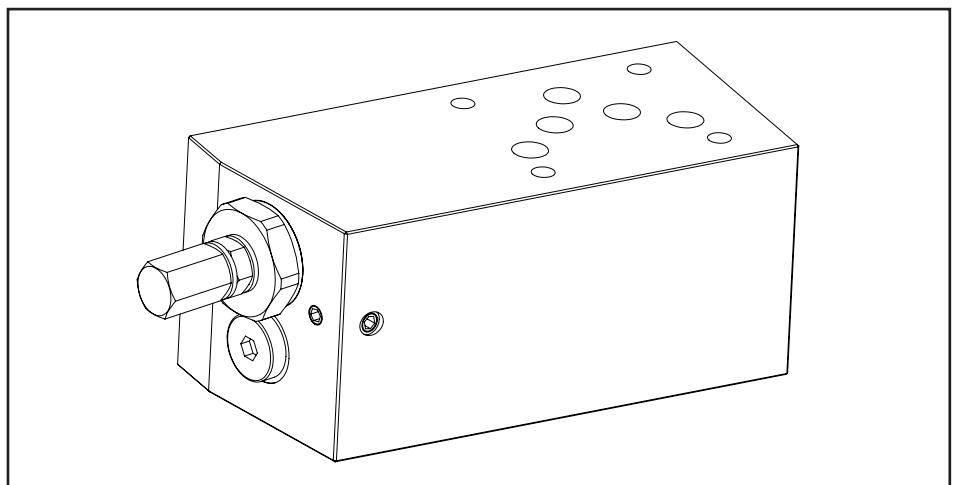


Technical data	
Max. pressure	250 bar
Max. flow	120 lpm *
Weight	2 Kg
Manifold material	Aluminium
M port	1/4" G



N°	Description	Q.ty
1	Bosch Rexroth pressure reducing valve VRP-150* depicted with screw adjustment	1
2	Ø 6,5 through hole for mounting	4
3	OR 2050 i. Ø 12,42 cross section 1,78	5

* for complete technical information, click on the blue link or go to the components section at the end of the catalogue



Ordering code

H	5	9	1	5	A	-	-	-
---	---	---	---	---	---	---	---	---

Hydrover product

Product series

59 series - Cetop 5 modular valves

Product ID

Manifold material

Aluminium

**Reducing valve
adjustment pressure range ***

2 =

20-210 bar

**Reducing valve
adjustment type ***

S =

Screw

K =

Knob

* Omit if not required. To order the product without the pressure relief cartridge valve, omit the pressure range and the adjustment type options: H5915A.
The manifold will still be provided with the corresponding cavity.